



MIXING VALVES



AMV3 - AMV4 - ABV4

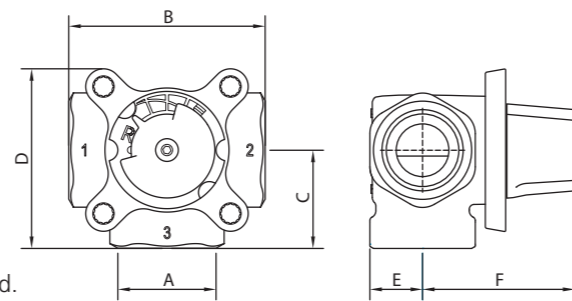
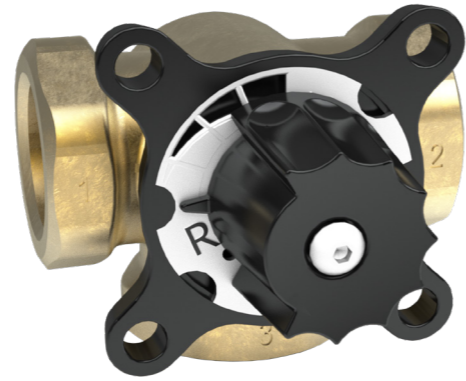
Mixing valve - AMV3

Technical data

Body	Brass
Closing element	Brass
Cover	Fortron
Handle	POM
O-rings	EPDM

Maximum working pressure: 10 bar
 Maximum closing pressure: 4 bar
 Maximum working temperature: +120°C
 Minimum working temperature: 0°C

Torque: < 3 Nm
 Turning angle: 90-degrees
 Tightness rate: < 0,1 % of flow, 2 bar/ 90 °C
 Media: Water - glycol mix (eltylene, propylene) max 30%
 Media: Water - etanol mix max 30%
 Motorisation: Standard
 Suitable actuators: Belimo, Ouman, Seltron, Evenes, Automix, Vexve
 Turning direction can be changed without tools, even when pressurized.



Item number	Description	Connection A	B	C	D	E	F	Kv (m ³ /h)	Weight (kg)
0431530000	Mixing valve AMV 3101, 1/2" F, kv 0,6	1/2" F	72	36	62	17	60	0,6	0,5
0431530005	Mixing valve AMV 3102, 1/2" F, kv 1,0	1/2" F	72	36	62	17	60	1,0	0,5
0431530010	Mixing valve AMV 3103, 1/2" F, kv 1,6	1/2" F	72	36	62	17	60	1,6	0,5
0431530015	Mixing valve AMV 3104, 1/2" F, kv 2,5	1/2" F	72	36	62	17	60	2,5	0,5
0431530018	Mixing valve AMV 3110, 3/4" F, kv 2,5	3/4" F	72	36	62	18	60	2,5	0,5
0431530020	Mixing valve AMV 3111, 3/4" F, kv 4,0	3/4" F	72	36	62	18	60	4,0	0,5
0431530025	Mixing valve AMV 3112, 3/4" F, kv 6,3	3/4" F	72	36	62	18	60	6,3	0,5
0431530030	Mixing valve AMV 3121, 1" F, kv 8,0	1" F	72	41	67	22	64	8,0	0,9
0431530035	Mixing valve AMV 3122, 1" F, kv 12,0	1" F	82	41	67	22	64	12,0	0,9
0431530040	Mixing valve AMV 3131, 1 1/4" F, kv 15,0	1 1/4" F	82	47	73	25	64	15,0	1,0

Item number	Description	Connection A	B	C	D	E	F	Kv (m ³ /h)	Weight (kg)
0431530045	Mixing valve AMV 3204, 3/4" M, kv 2,5	3/4" M	72	36	62	17	60	2,5	0,5
0431530046	Mixing valve AMV 3202, 3/4" M, kv 6,3	3/4" M	72	36	62	17	60	6,3	0,5
0431530050	Mixing valve AMV 3211, 1" M, kv 4,0	1" M	72	36	62	18	60	4,0	0,5
0431530051	Mixing valve AMV 3210, 1" M, kv 2,5	1" M	72	36	62	18	60	2,5	0,5
0431530055	Mixing valve AMV 3212, 1" M, kv 6,3	1" M	72	36	62	18	60	6,3	0,5
0431530060	Mixing valve AMV 3221, 1 1/4" M, kv 8,0	1 1/4" M	82	41	67	22	64	8,0	0,9
0431530065	Mixing valve AMV 3222, 1 1/4" M, kv 12,0	1 1/4" M	82	41	67	22	64	12,0	0,9
0431530070	Mixing valve AMV 3231, 1 1/2" M, kv 15,0	1 1/2" M	94	47	73	25	64	15,0	1,0

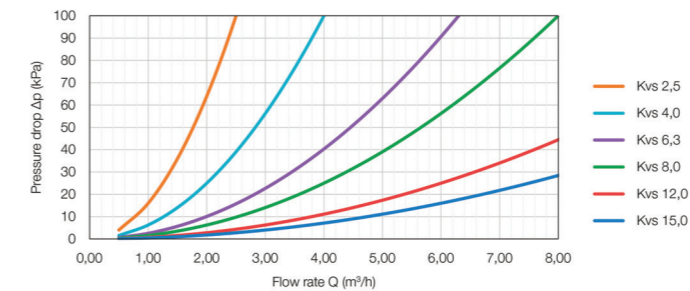
Item number	Description	Connection compression fitting	B*	C	D	E	F	Kv (m ³ /h)	Weight (kg)
0431530048	Mixing valve AMV 3304, 22CU, kv 2,5	22CU	72	36	62	17	60	2,5	0,6
0431530049	Mixing valve AMV 3326, 22CU, kv 6,3	22CU	72	36	62	17	60	6,3	0,6
0431530059	Mixing valve AMV 3320, 22CU, kv 2,5	22CU	72	36	62	18	60	2,5	0,7
0431530058	Mixing valve AMV 3312, 28CU, kv 6,3	28CU	72	36	62	18	60	6,3	0,8

All dimensions in millimetres
 *Dimension without compression fittings

Subject to technical changes and corrections without notice

Mixing valve - AMV3

Pressure drop chart



Typical application of AMV3 mixing valve

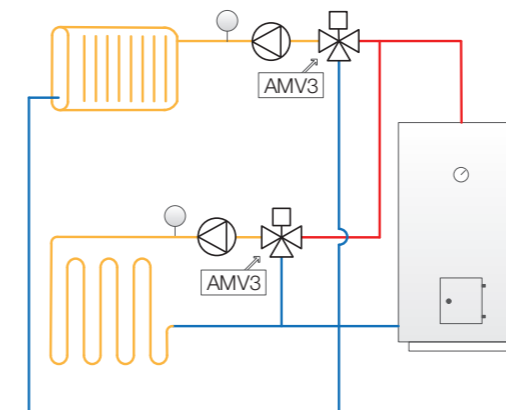


Figure 01. Mixing valve in underfloor- or radiator heating system.

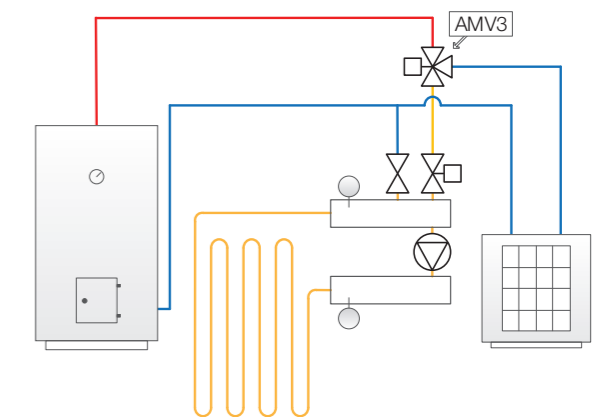
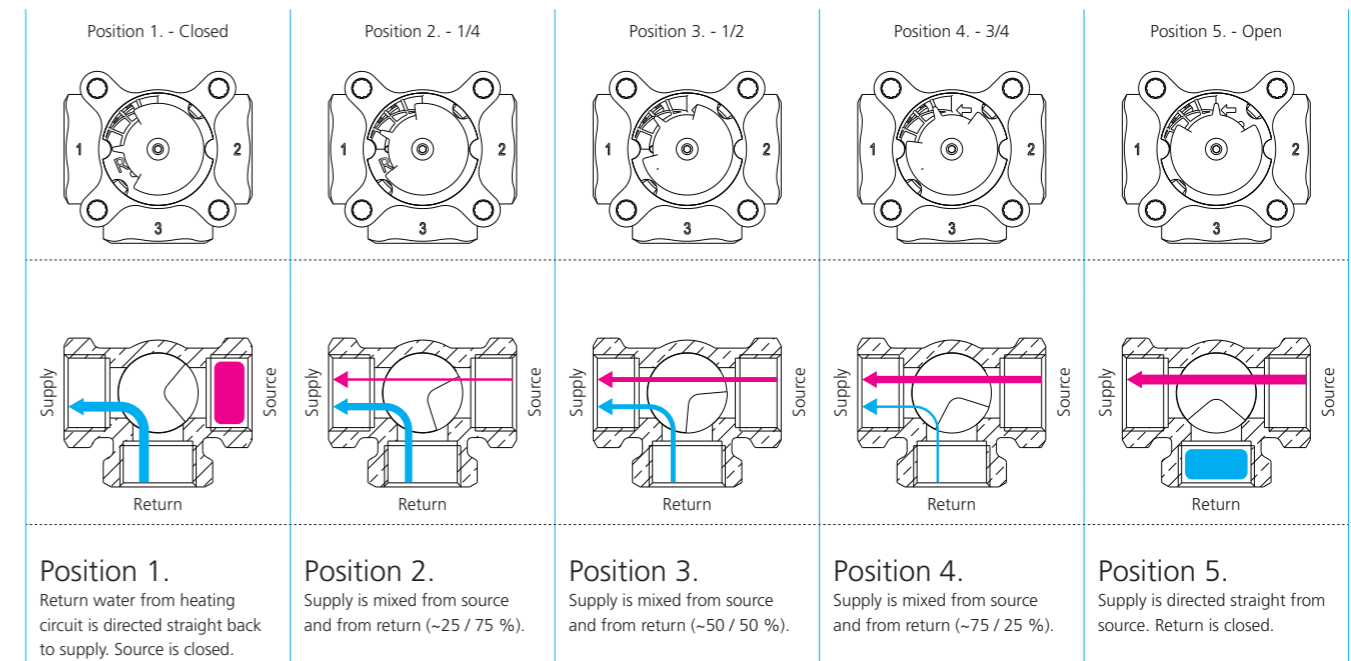


Figure 02. Switching valve in heating- or cooling system.

Operation principle



Subject to technical changes and corrections without notice

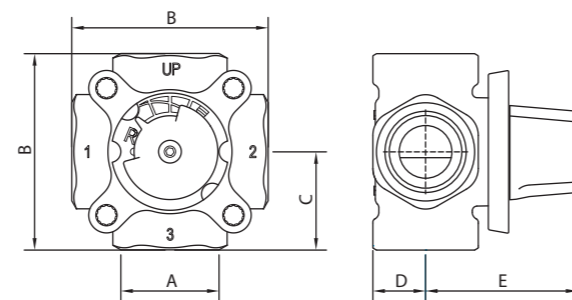
Mixing valve - AMV4

Technical data

Body	Brass
Closing element	Brass
Cover	Fortron
Handle	POM
O-rings	EPDM

Maximum working pressure: 10 bar
 Maximum closing pressure: 4 bar
 Maximum working temperature: +120°C
 Minimum working temperature: 0°C

Torque: < 3 Nm
 Turning angle: 90-degrees
 Media: Water - glycol mix (ethylene, propylene) max 30%
 Media: Water - ethanol mix max 30%
 Turning direction can be changed without tools, even when pressurized.
 Motorisation: Standard
 Suitable actuators: Belimo, Ouman, Seltron, Evenes, Automix, Vexve



Item number	Description	Connection A	B	C	D	E	Kv (m³/h)	Weight (kg)
0431540005	Mixing valve AMV 4101, 1/2" F, kv 2,5	1/2" F	72	36	17	60	2,5	0,5
0431540010	Mixing valve AMV 4111, 3/4" F, kv 4,0	3/4" F	72	36	18	60	4,0	0,6
0431540015	Mixing valve AMV 4112, 3/4" F, kv 6,3	3/4" F	72	36	18	60	6,3	0,6
0431540020	Mixing valve AMV 4121, 1" F, kv 8,0	1" F	82	41	22	64	8,0	1,0
0431540025	Mixing valve AMV 4122, 1" F, kv 12,0	1" F	82	41	22	64	12,0	1,0
0431540030	Mixing valve AMV 4131, 1 1/4" F, kv 15,0	1 1/4" F	94	47	25	64	15,0	1,2

Item number	Description	Connection A	B	C	D	E	Kv (m³/h)	Weight (kg)
0431540035	Mixing valve AMV 4201, 3/4" M, kv 2,5	3/4" M	72	36	17	60	2,5	0,5
0431540040	Mixing valve AMV 4211, 1" M, kv 4,0	1" M	72	36	18	60	4,0	0,6
0431540045	Mixing valve AMV 4212, 1" M, kv 6,3	1" M	72	36	18	60	6,3	0,6
0431540050	Mixing valve AMV 4221, 1 1/4" M, kv 8,0	1 1/4" M	82	41	22	64	8,0	1,0
0431540055	Mixing valve AMV 4222, 1 1/4" M, kv 12,0	1 1/4" M	82	41	22	64	12,0	1,0
0431540060	Mixing valve AMV 4231, 1 1/2" M, kv 15,0	1 1/2" M	94	47	25	64	15,0	1,2

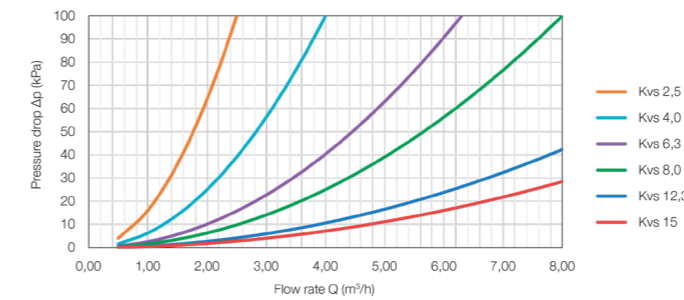
Item number	Description	Connection compression fitting	B*	C	D	E	Kv (m³/h)	Weight (kg)
0431540038	Mixing valve AMV 4301, 22CU, kv 2,5	22CU	72	36	62	60	2,5	0,6
0431540048	Mixing valve AMV 4313, 28CU, kv 6,3	28CU	72	36	62	60	6,3	0,8

All dimensions in millimetres
 *Dimension without compression fittings

Subject to technical changes and corrections without notice

Mixing valve - AMV4

Pressure drop chart



Typical application of AMV4 mixing valve

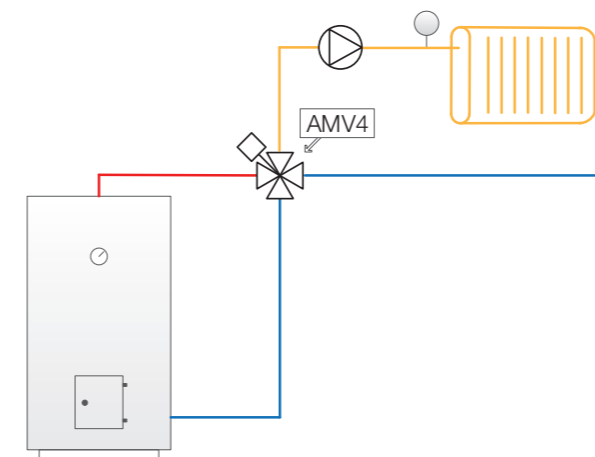
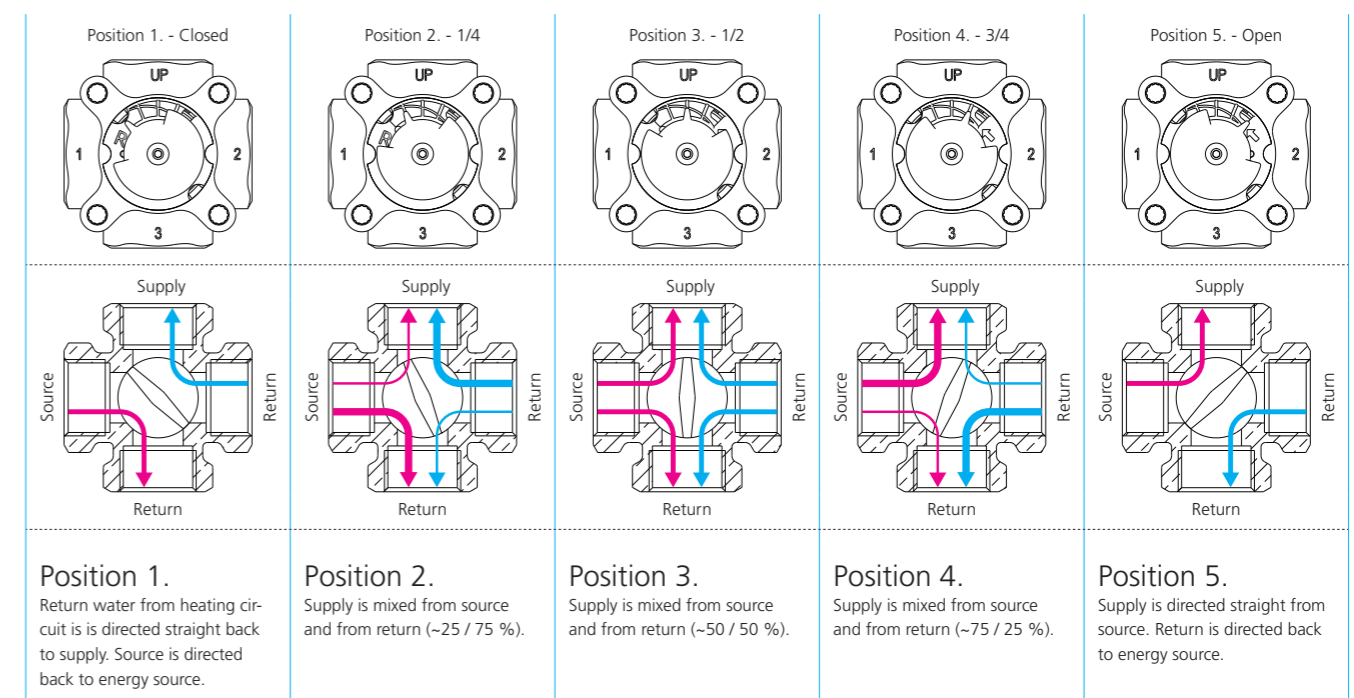


Figure 01. Mixing valve in underfloor- or radiator heating system.

Operation principle



Subject to technical changes and corrections without notice

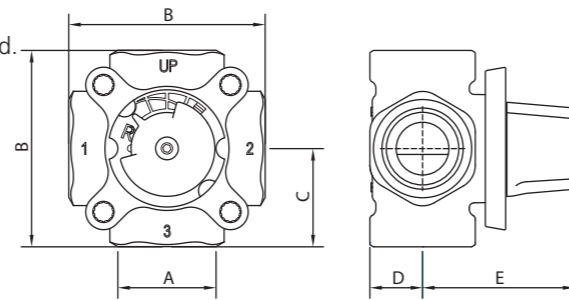
Mixing valve - ABV4

Technical data

Body	Brass
Closing element	Brass
Cover	Fortron
Handle	POM
O-rings	EPDM

Maximum working pressure: 10 bar
 Maximum closing pressure: 4 bar
 Maximum working temperature: +120°C
 Minimum working temperature: 0°C

Torque: < 3 Nm
 Turning angle: 90-degrees
 Media: Water - glycol mix (ethylene, propylene) max 30%
 Media: Water - ethanol mix max 30%
 Turning direction can be changed without tools, even when pressurized.
 Motorisation: Standard
 Suitable actuators: Belimo, Ouman, Seltron, Evenes, Automix, Vexve



Item number	Description	Connection A	B	C	D	E	Kv (m ³ /h)	Weight (kg)
0431550005	Mixing valve ABV 4101, 1/2" F, kv 2,5	1/2" F	72	36	17	60	2,5	0,5
0431550015	Mixing valve ABV 4103, 1/2" F, kv 6,3	1/2" F	72	36	18	60	6,3	0,5
0431550020	Mixing valve ABV 4110, 3/4" F, kv 2,5	3/4" F	72	36	18	60	2,5	0,6
0431550030	Mixing valve ABV 4112, 3/4" F, kv 6,3	3/4" F	72	36	22	64	6,3	0,6
0431550035	Mixing valve ABV 4121, 1" F, kv 8,0	1" F	82	41	22	64	8,0	1
0431550040	Mixing valve ABV 4122, 1" F, kv 12,0	1" F	82	41	22	64	12,0	1
0431550045	Mixing valve ABV 4130, 1 1/4" F, kv 12,0	1 1/4" F	94	47	25	64	12,0	1,2

Item number	Description	Connection A	B	C	D	E	Kv (m ³ /h)	Weight (kg)
0431550065	Mixing valve ABV 4201, 3/4" M, kv 2,5	3/4" M	72	36	17	60	2,5	0,5
0431550075	Mixing valve ABV 4203, 3/4" M, kv 6,3	3/4" M	72	36	18	60	6,3	0,5
0431550080	Mixing valve ABV 4210, 1" M, kv 2,5	1" M	72	36	18	60	2,5	0,6
0431550090	Mixing valve ABV 4212, 1" M, kv 6,3	1" M	72	36	18	60	6,3	0,6
0431550095	Mixing valve ABV 4221, 1 1/4" M, kv 8,0	1 1/4" M	82	41	22	64	8,0	1
0431550100	Mixing valve ABV 4222, 1 1/4" M, kv 12,0	1 1/4" M	82	41	22	64	12,0	1
0431550115	Mixing valve ABV 4230, 1 1/2" M, kv 12,0	1 1/2" M	94	47	25	64	12,0	1,2

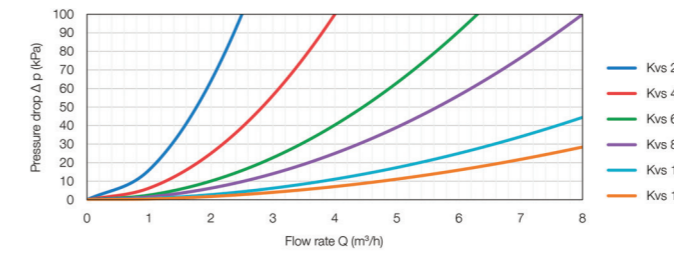
Item number	Description	Connection compression fitting	B	C	D	E	Kv (m ³ /h)	Weight (kg)
0431550130	Mixing valve ABV 4321, 22CU, kv 2,5	22CU	105	52,5	17	60	2,5	0,8
0431550140	Mixing valve ABV 4323, 22CU, kv 6,3	22CU	105	52,5	17	60	6,3	0,8
0431550145	Mixing valve ABV 4330, 28CU, kv 2,5	28CU	109	54,5	19	60	2,5	1,0
0431550155	Mixing valve ABV 4332, 28CU, kv 6,3	28CU	109	54,5	19	60	6,3	1,0

All dimensions in millimetres

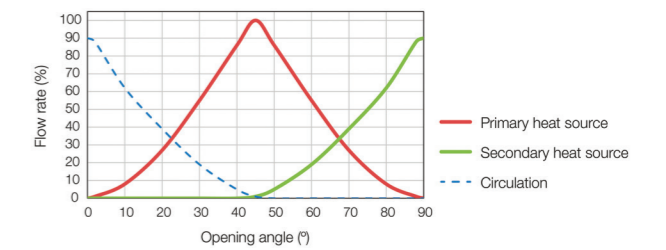
Subject to technical changes and corrections without notice

Mixing valve - ABV4

Pressure drop chart



Flow rate-opening angle



Typical application of ABV4 mixing valve

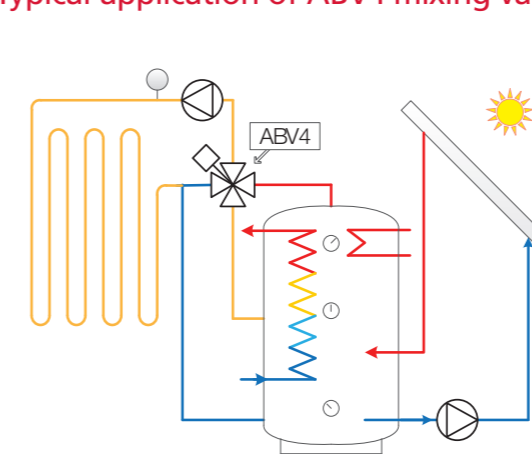


Figure 01. Mixing valve in underfloor- or radiator heating system that automatically optimizes storage tank heat stratification.

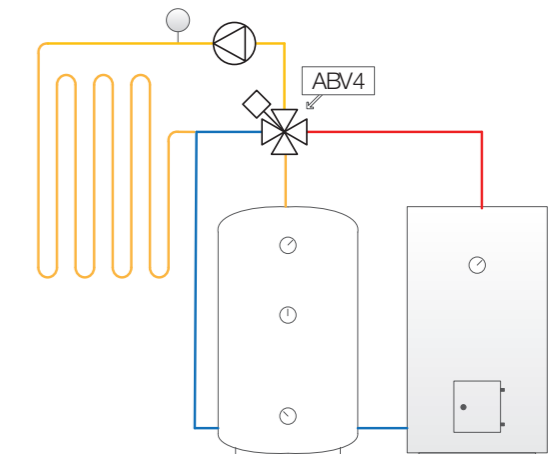
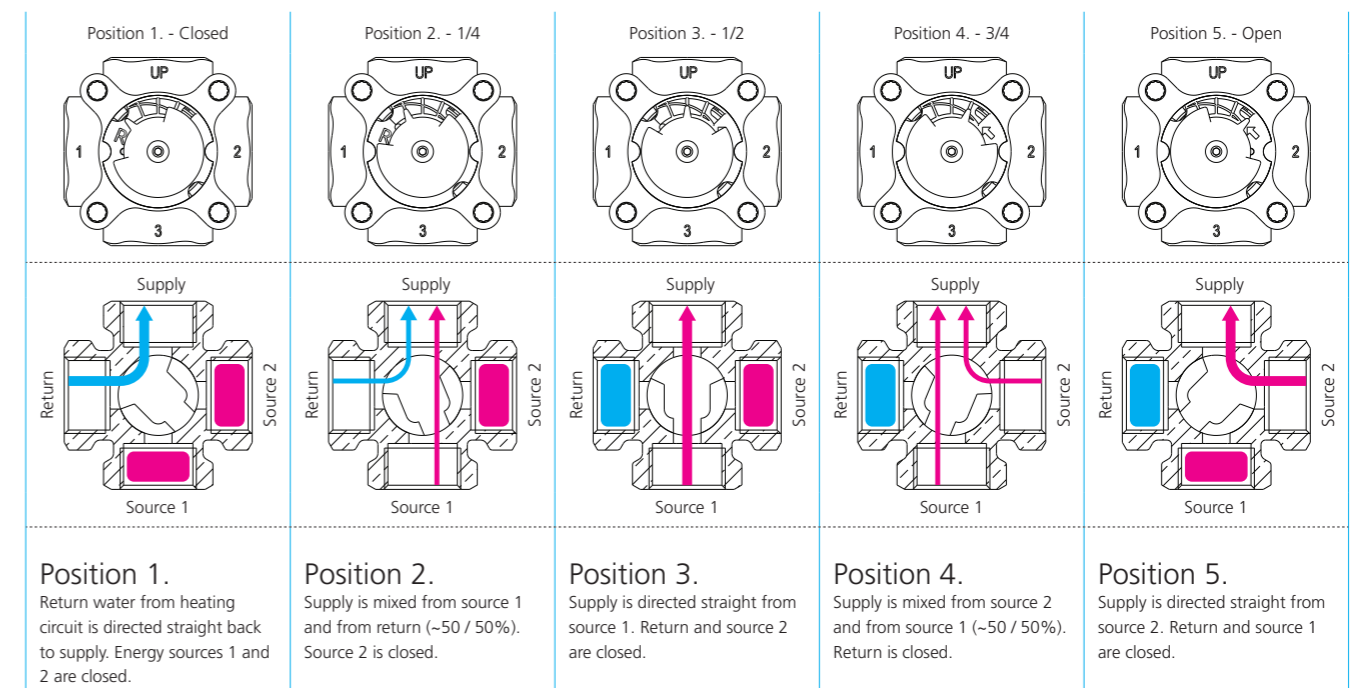


Figure 02. Mixing valve in underfloor- or radiator heating system that automatically combines different heat sources.

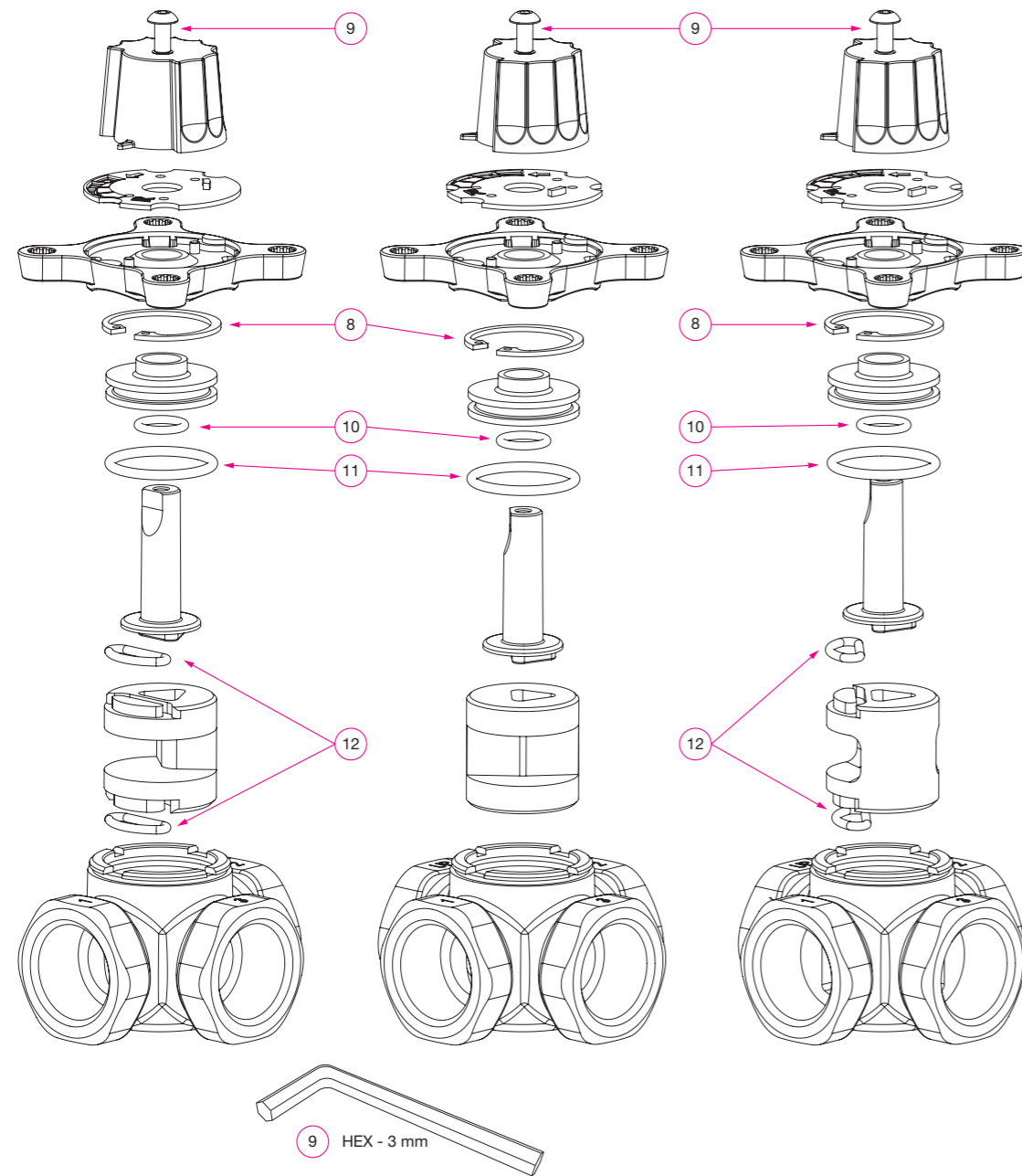
Operation principle



Subject to technical changes and corrections without notice

Mixing valves AMV3 - AMV4 - ABV4

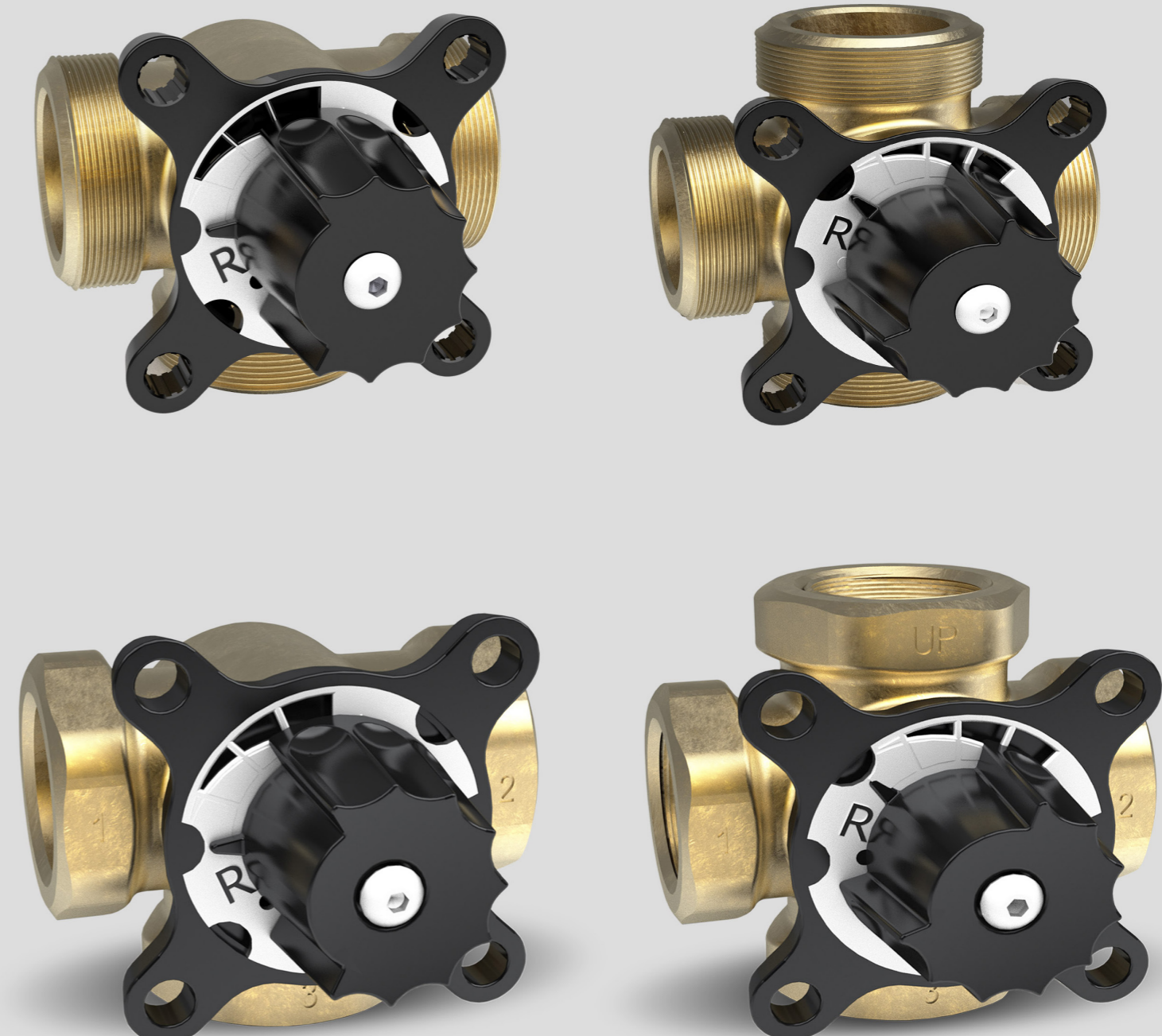
This document applies for all Impel mixing valves AMV3 - AMV4 - ABV4



Position	1/2" - 3/4" AMV3 / ABV4	1/2" - 3/4" AMV4	1" - 1 1/4" AMV3 / ABV4	1" - 1 1/4" AMV4
8	DIN 472 26 X 1,2	DIN 472 26 X 1,2	DIN 472 35 X 1,5	DIN 472 35 X 1,5
9	Hexagon M5 X 10 ISO 7380	Hexagon M5 X 10 ISO 7380	Hexagon M5 X 10 ISO 7380	Hexagon M5 X 10 ISO 7380
10	EPDM Ø 11,91 X 2,62	EPDM Ø 11,91 X 2,62	EPDM Ø 11,91 X 2,62	EPDM Ø 11,91 X 2,62
11	EPDM Ø 20,2 X 3	EPDM Ø 20,2 X 3	EPDM Ø 29,2 X 3	EPDM Ø 29,2 X 3
12	EPDM Ø 9,3 X 2,4		EPDM Ø 13,1 X 2,62	

Item number	Description	Weight (kg)
0431920812	Spare part kit AMV3 - AMV4 - ABV4	0,18

Subject to technical changes and corrections without notice



Impel is a part of

bh group

beulco
armatur ab

impel

pd produktion

promab

impel

www.impel.se/english

Box 150 02 • 250 15 Helsingborg • Sweden • Gravörgatan 36
Tel: +46 (0)42-37 89 80 • info@impel.se