

Maintenance

Applies to

All Impel filter ball valves.

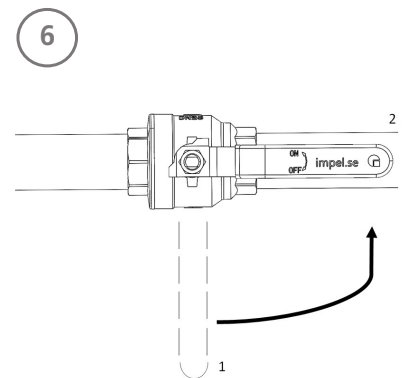
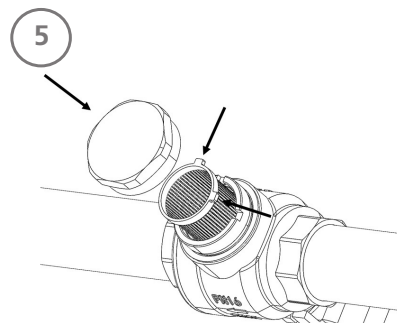
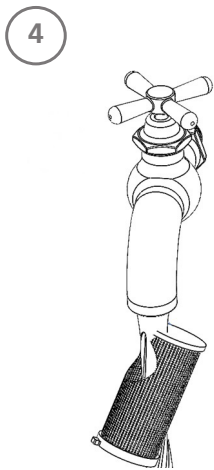
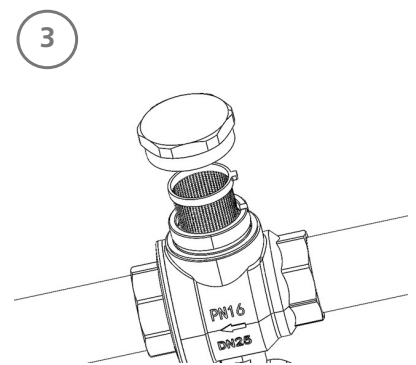
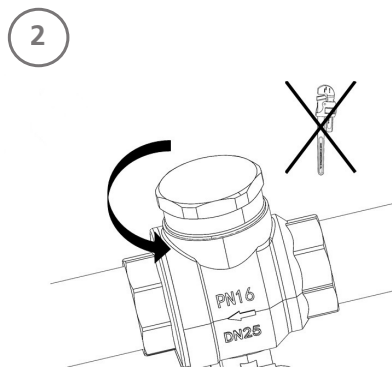
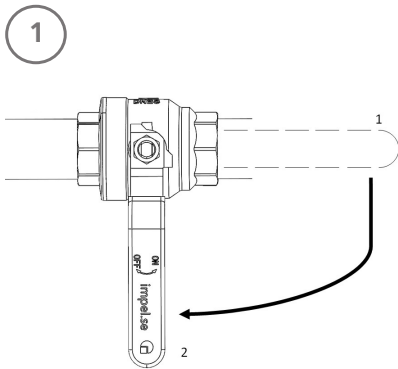
General information

The filter ball valve must be operated periodically, two to three times a year. If leakage through stem, unmount lever / T-handle and tighten gland nut.

The magnet is sensitive for scratches and damages so be very careful when cleaning the rod. The strength of the magnet decrease over time and should be replaced if necessary or at least after 2-3 years.

Cleaning the filter ball valve during operation

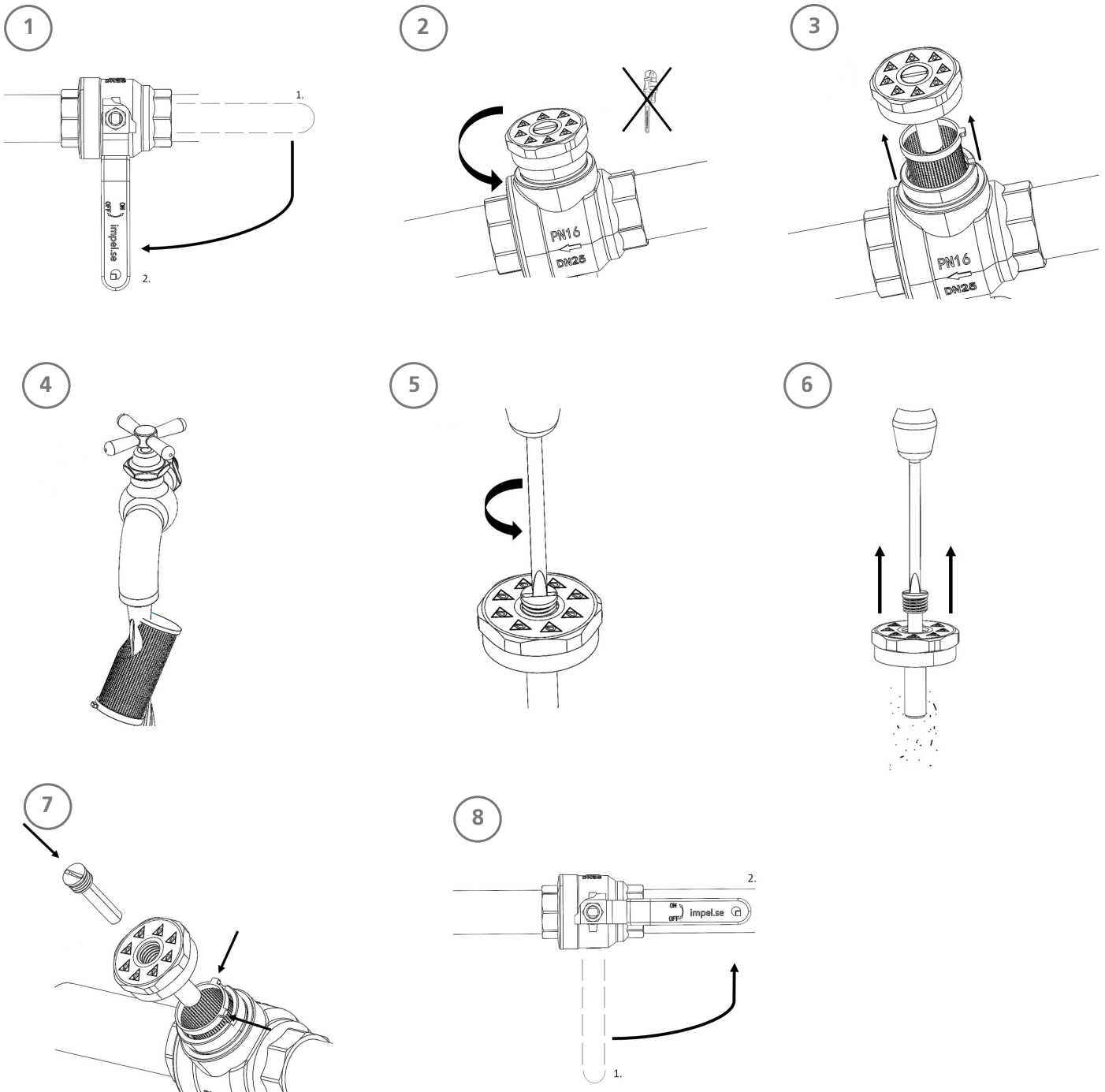
1. Close the filter ball valve.
2. Unscrew the cap.
3. Remove the strainer insert.
4. Flush clean.
5. Put the strainer back (note the small pins) and screw back the cap.
6. Open the filter ball valve.



Subject to technical changes and corrections without notice

Cleaning the filter ball valve with magnet valve during operation

1. Close the filter ball valve.
2. Unscrew the cap with magnet.
3. Remove the strainer insert.
4. Flush clean .
5. Unscrew the magnet rod to clean.
6. Make sure all dirt/magnetite has disappeared.
7. Put the strainer back (note the small pins) and screw back the cap and the magnet rod.
8. Open the filter ball valve.



Subject to technical changes and corrections without notice