



Oras Saga

Installation and maintenance guide





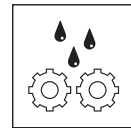
4-11



12-17



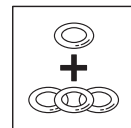
18



18-22



23

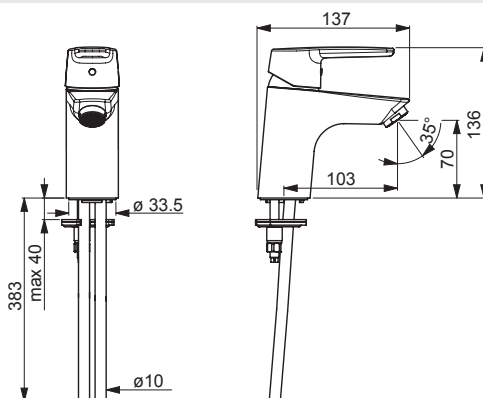


24-27



3910

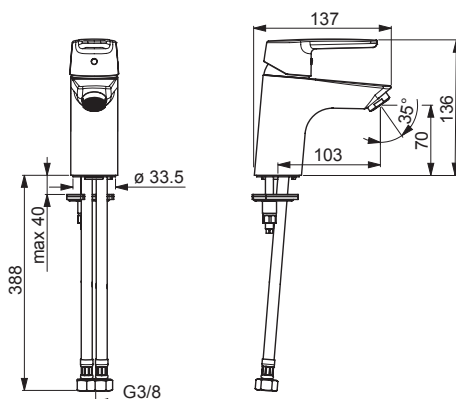
I (ISO 3822) Oras lab.
EN 817
50 - 1000 kPa
0.1 l/s (300 kPa w/Controller)
200 kPa (0.1 l/s)
max. +80°C



mpi.oras.com/3910

3910F , 3910FK

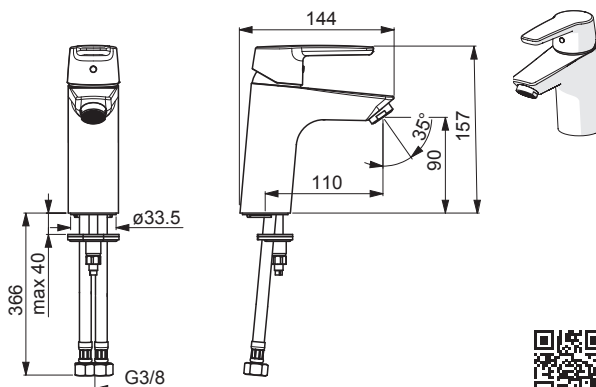
I (ISO 3822) Oras lab.
EN 817
50 - 1000 kPa
0.1 l/s (300 kPa w/Controller)
200 kPa (0.1 l/s)
max. +80°C



mpi.oras.com/3910F

3911F

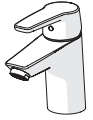
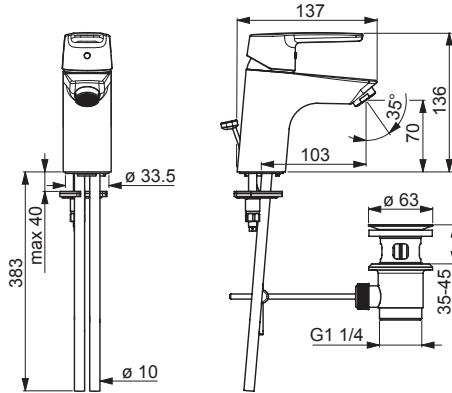
I (ISO 3822) Oras lab.
EN 817
50 - 1000 kPa
0.1 l/s (300 kPa w/Controller)
200 kPa (0.1 l/s)
max. +80°C



mpi.oras.com/3911F

3904

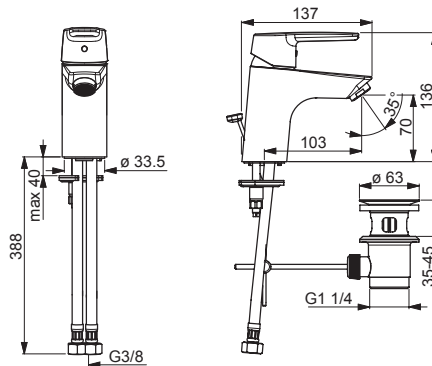
I (ISO3822) Oras lab.
 EN 817
 50 - 1000 kPa
 0.1 l/s (300 kPa w/Controller)
 200 kPa (0.1 l/s)
 max. +80°C



mpi.oras.com/3904

3904F , 3904F-102 , 3904F-104 , 3904F-105

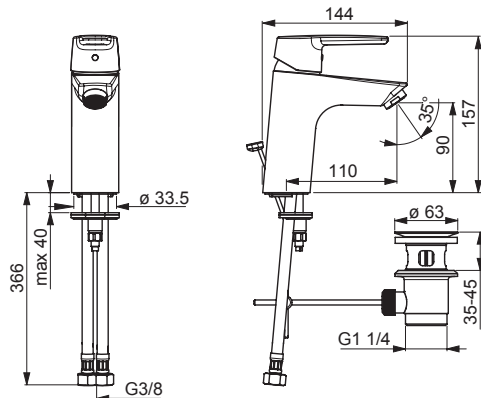
I (ISO 3822) Oras lab.
 EN 817
 50 - 1000 kPa
 0.1 l/s (300 kPa w/Controller)
 200 kPa (0.1 l/s)
 max. +80°C



mpi.oras.com/3904F

3914F

I (ISO 3822) Oras lab.
 EN 817
 50 - 1000 kPa
 0.1 l/s (300 kPa w/Controller)
 200 kPa (0.1 l/s)
 max. +80°C

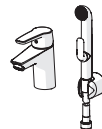
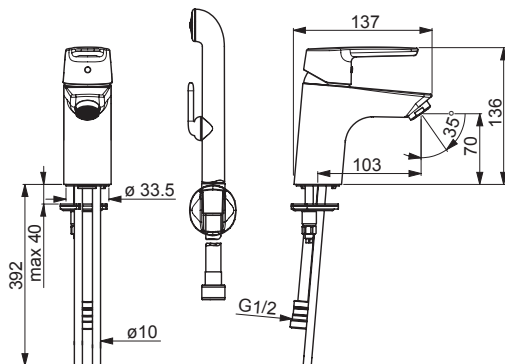


mpi.oras.com/3914F



3912

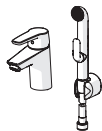
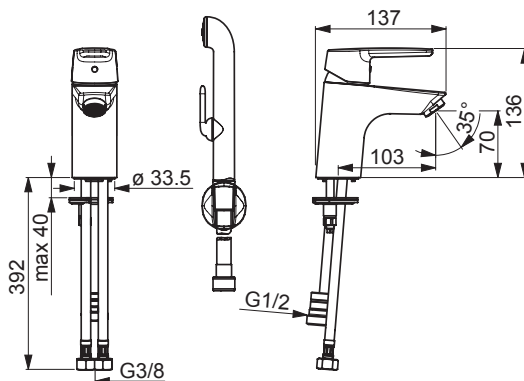
I (ISO 3822) Oras lab.
 EN 817
 50 - 1000 kPa
 0.1 l/s (300 kPa w/Controller)
 200 kPa (0.1 l/s)
 max. +80°C



mpi.oras.com/3912

3912F

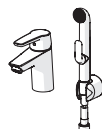
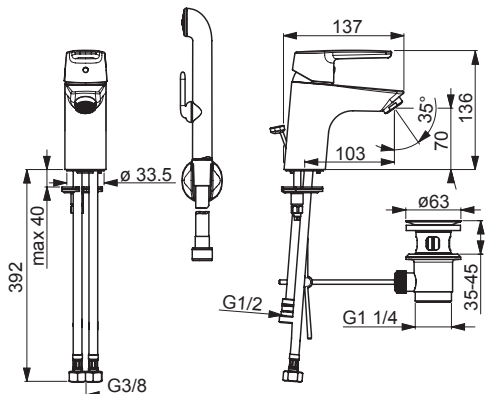
I (ISO 3811) Oras lab.
 EN 817
 50 - 1000 kPa
 0.1 l/s (300 kPa w/Controller)
 200 kPa (0.1 l/s)
 max. +80°C



mpi.oras.com/3912F

3908F

I (ISO 3822) Oras lab.
 EN 817
 50 - 1000 kPa
 0.1 l/s (300 kPa w/Controller)
 200 kPa (0.1 l/s)
 max. +80°C

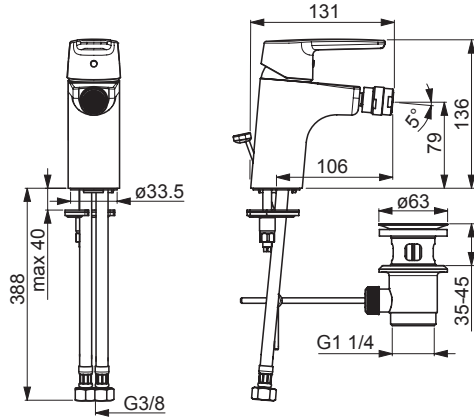


mpi.oras.com/3908F



3918F

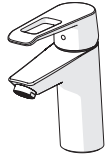
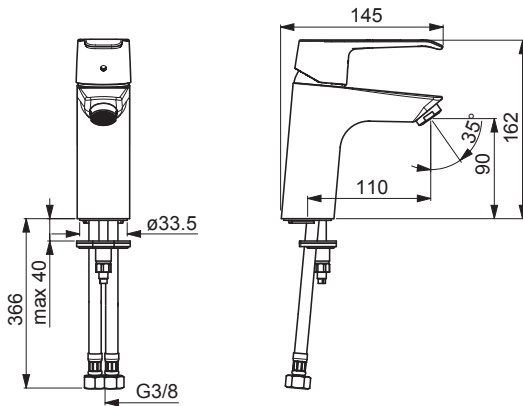
I (ISO 3822) Oras lab.
 EN 817
 50 - 1000 kPa
 0.1 l/s (300 kPa w/Controller)
 200 kPa (0.1 l/s)
 max. +80°C



mpi.oras.com/3918F

3991F

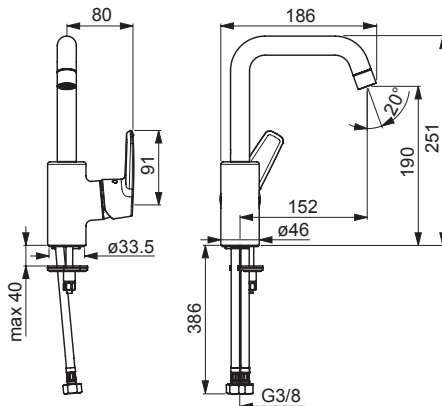
I (ISO 3822) Oras lab.
 EN 817
 50 - 1000 kPa
 0.1 l/s (300 kPa w/Controller)
 200 kPa (0.1 l/s)
 max. +80°C



mpi.oras.com/3991F

3907F

I (ISO 3822) Oras lab.
 EN 817
 50 - 1000 kPa
 0.1 l/s (300 kPa w/Controller)
 200 kPa (0.1 l/s)
 max. +80°C

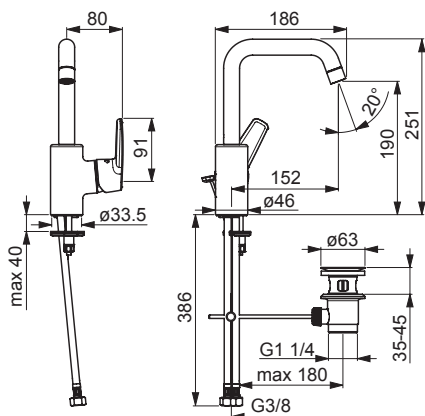


mpi.oras.com/3907F



3909F

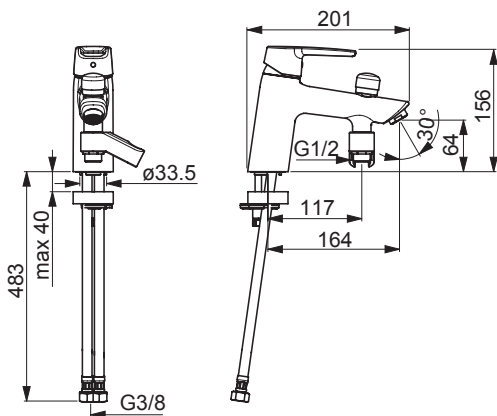
I (ISO 3822) Oras lab.
EN 817
50 - 1000 kPa
0.1 l/s (300 kPa w/Controller)
200 kPa (0.1 l/s)
max. +80°C



mpi.oras.com/3909F

3946F

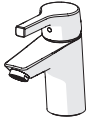
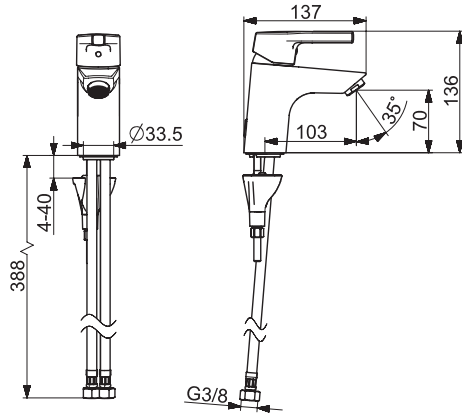
EN 817
50 - 1000 kPa
0.34 / 0.32 l/s (300 kPa)
250 kPa (0.3 l/s)
max. +80°C



mpi.oras.com/3946F

3910FH , 3910FHK

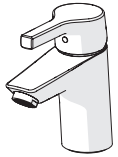
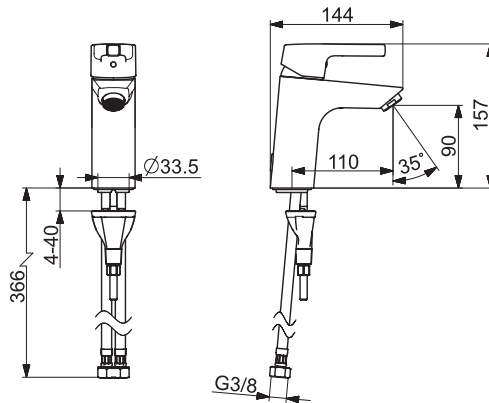
I(ISO3822)
 EN 817
 50 - 1000 kPa
 0.1 l/s (300 kPa w/Controller)
 max. +80°C



mpi.oras.com/3910FH

3911FH

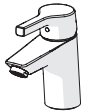
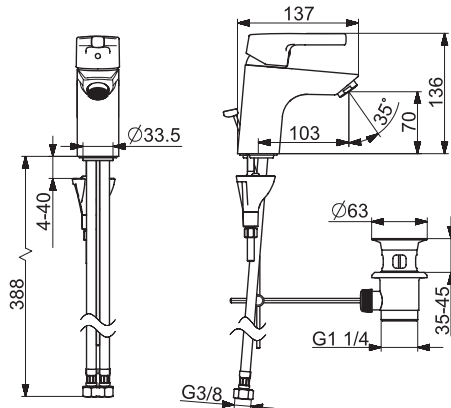
I(ISO3822)
 EN 817
 50 - 1000 kPa
 0.1 l/s (300 kPa w/Controller)
 max. +80°C



mpi.oras.com/3911FH

3904FH

I(ISO3822)
 EN 817
 50 - 1000 kPa
 0.1 l/s (300 kPa w/Controller)
 max. +80°C

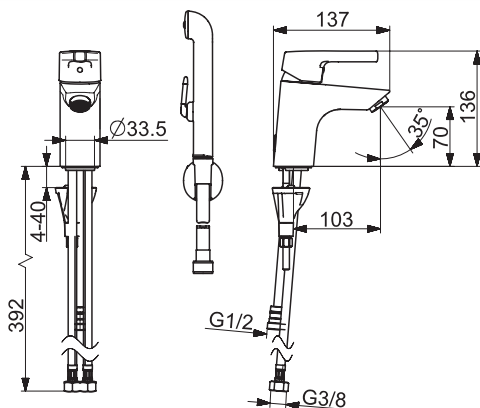


mpi.oras.com/3904FH



3912FH

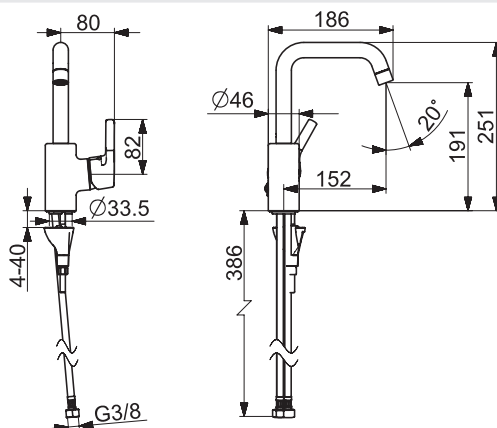
I(ISO3822)
 EN 817
 50 - 1000 kPa
 0.1 l/s (300 kPa w/Controller)
 max. +80°C



mpi.oras.com/3912FH

3907FH

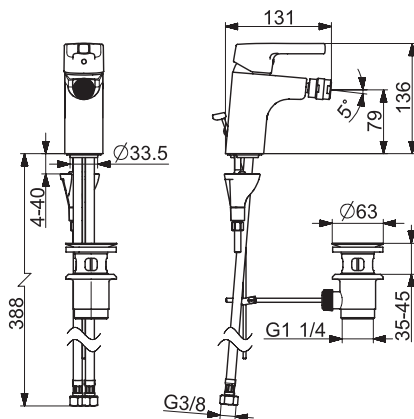
I(ISO3822)
 EN 817
 50 - 1000 kPa
 0.1 l/s (300 kPa w/Controller)
 max. +80°C



mpi.oras.com/3907FH

3918FH

I(ISO3822)
 EN 817
 50 - 1000 kPa
 0.1 l/s (300 kPa w/Controller)
 max. +80°C

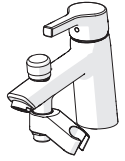
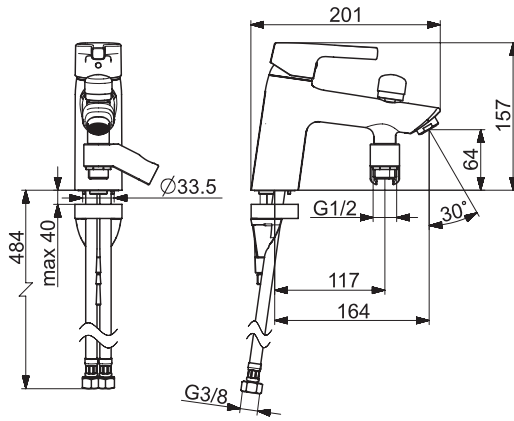


mpi.oras.com/3918FH

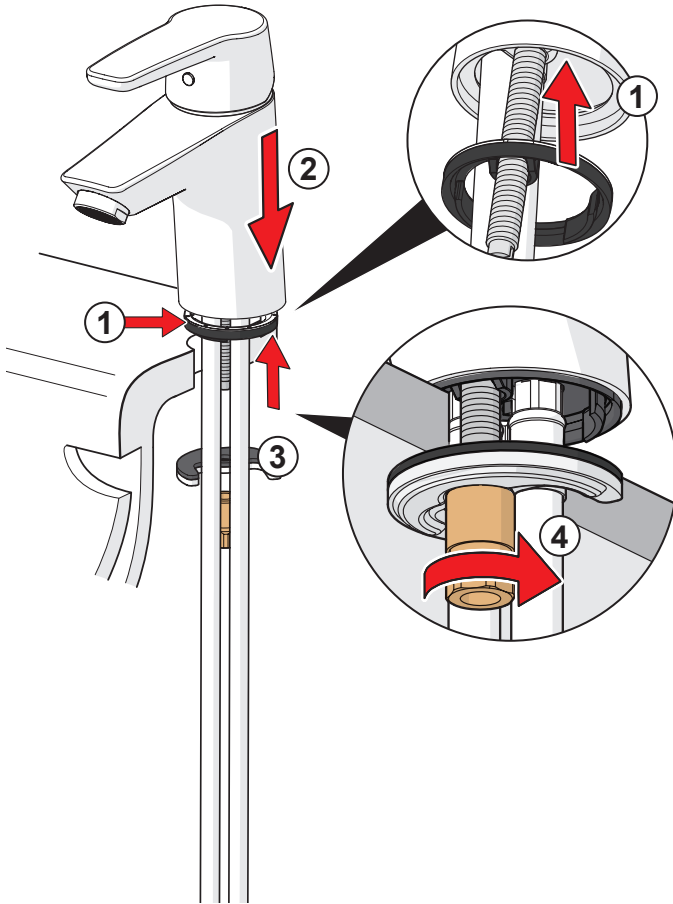
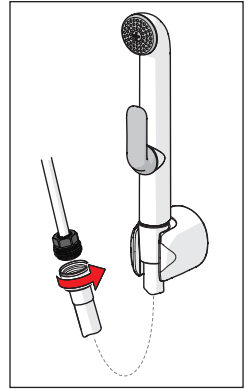
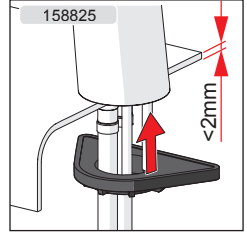
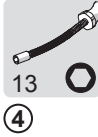
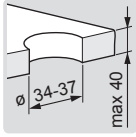
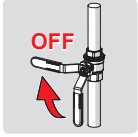


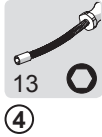
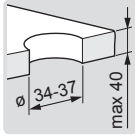
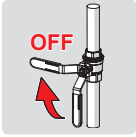
3946FH

II (ISO 3822)
EN 817
50 - 1000 kPa
0.34 / 0.22 l/s (300 kPa)
max. +80°C

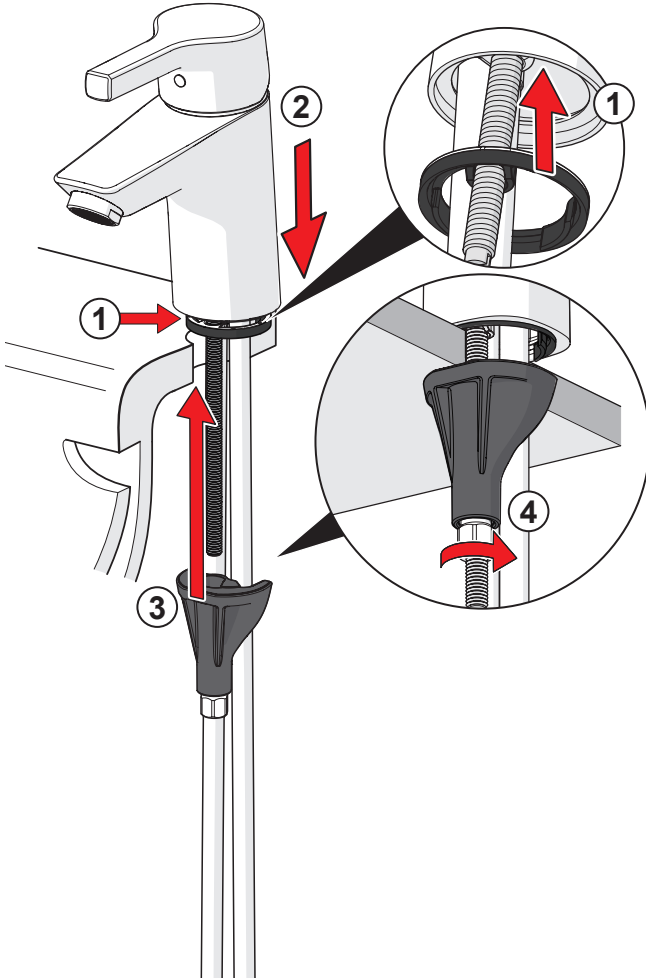
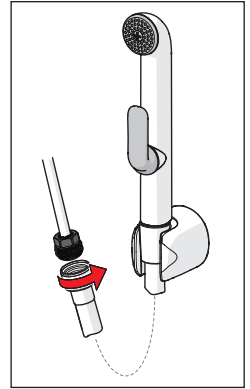
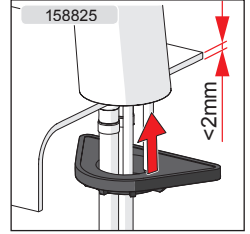


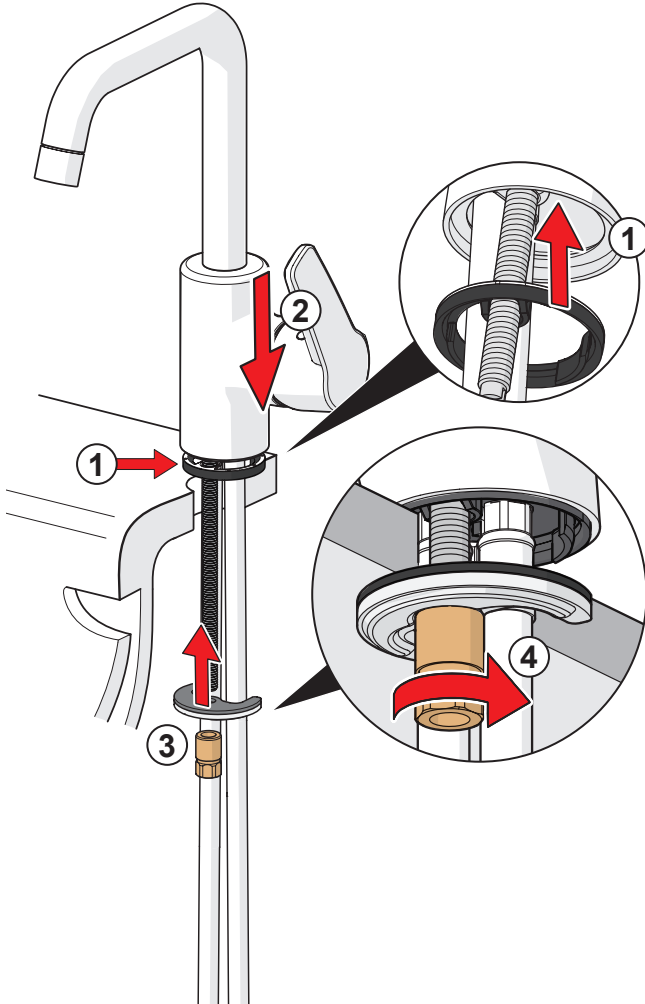
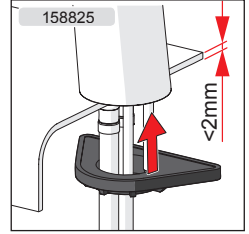
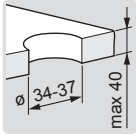
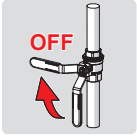
mpi.oras.com/3946FH

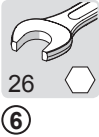
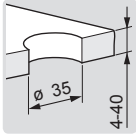
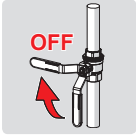




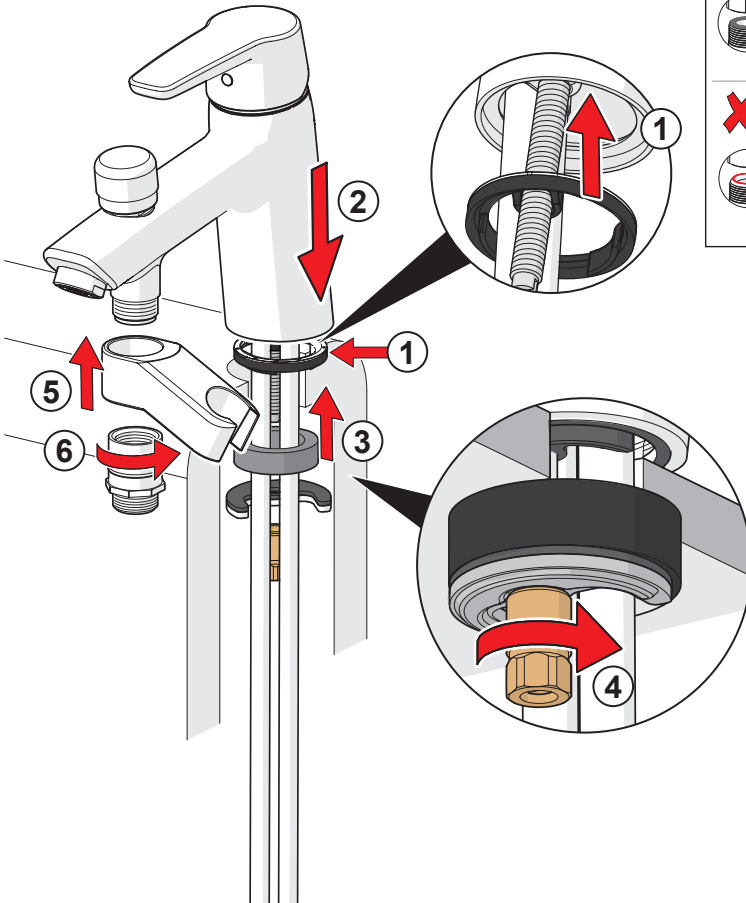
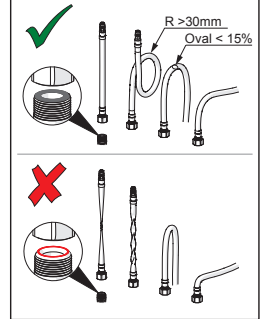
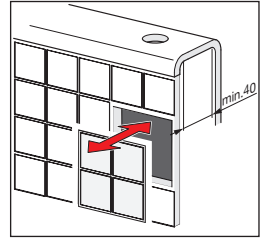
max.
1600 kPa





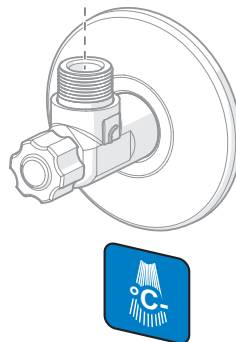
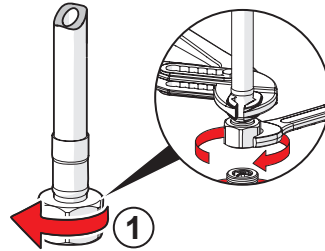
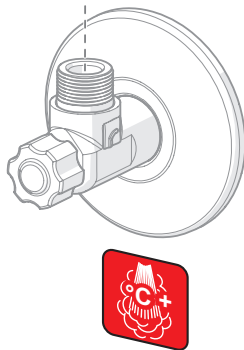
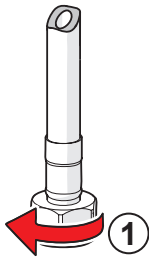
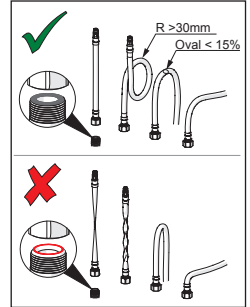


max.
1600 kPa



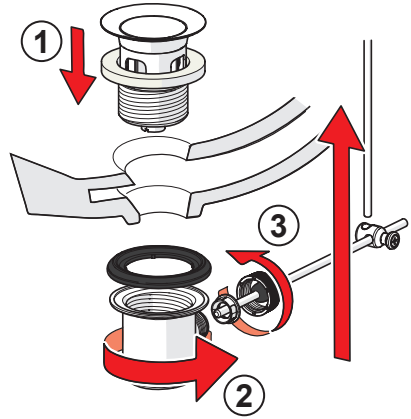
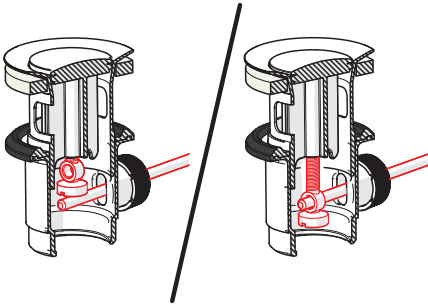
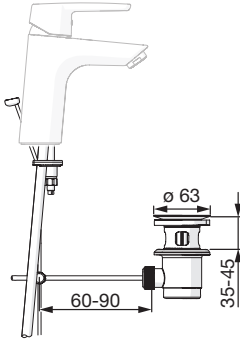


①

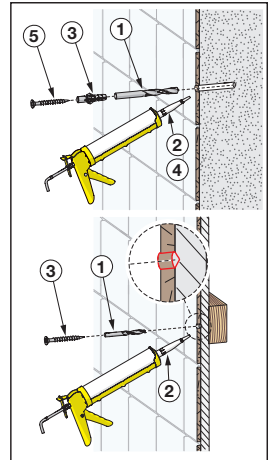
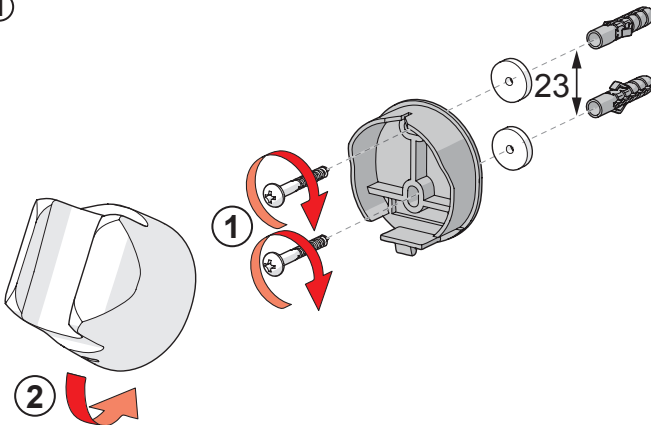


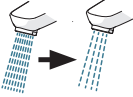
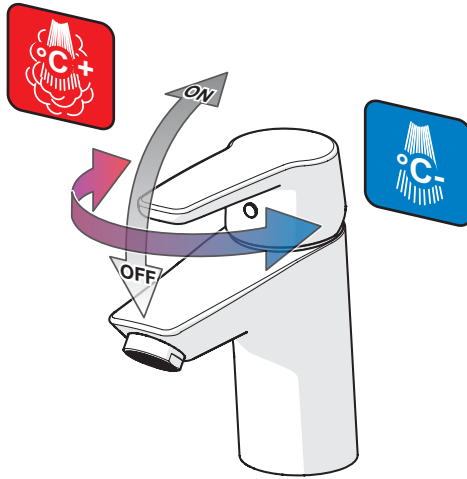


① ② ③

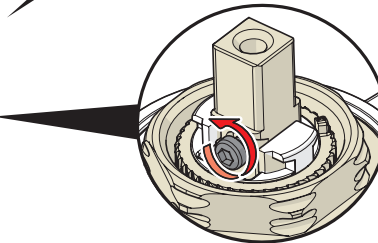
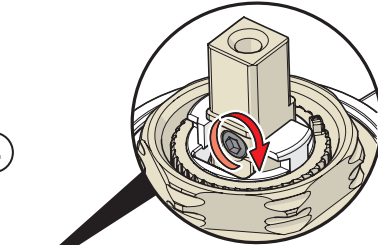
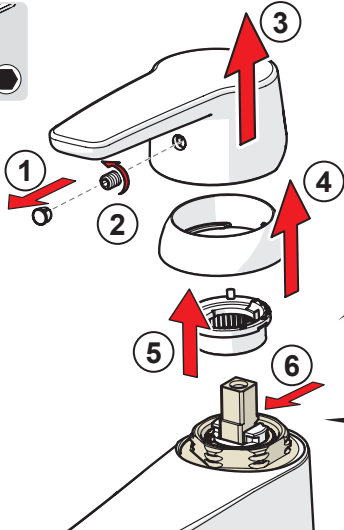


①



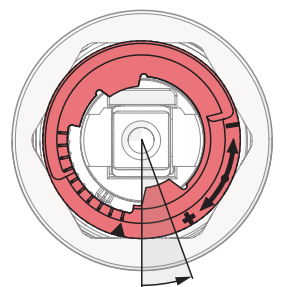
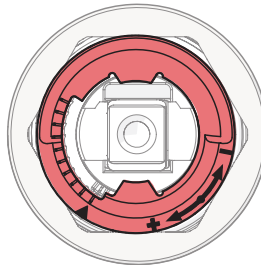
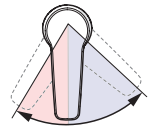
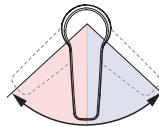
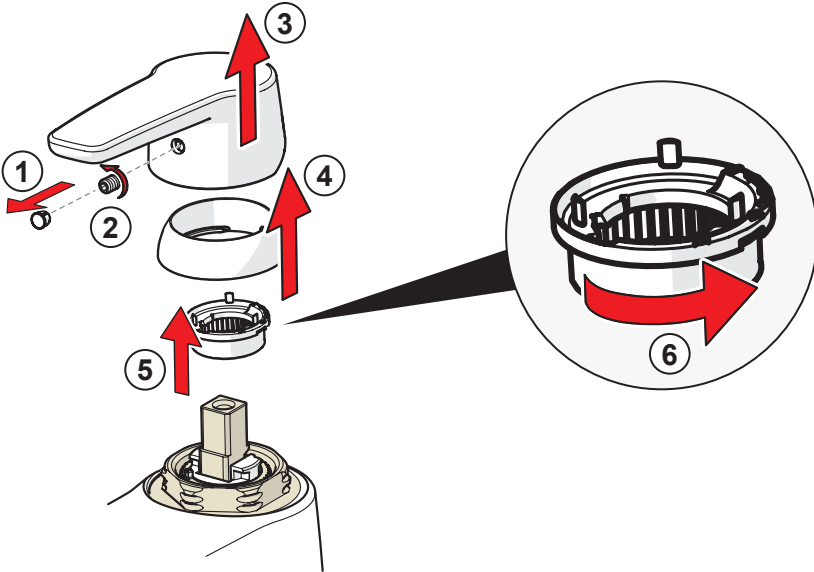


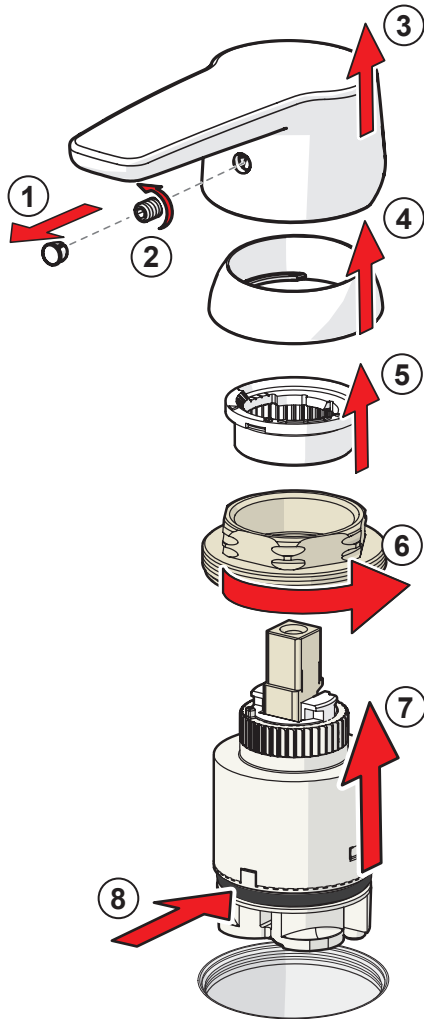
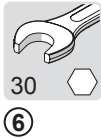
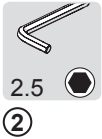
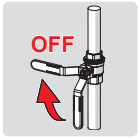
2.5
② ⑥

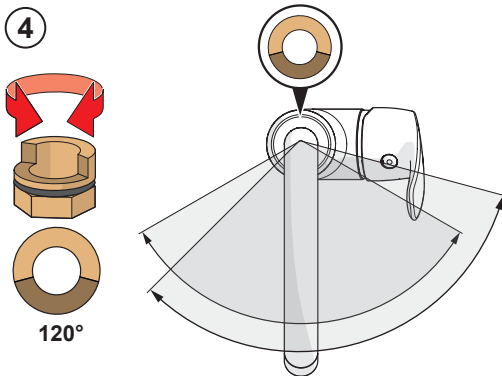
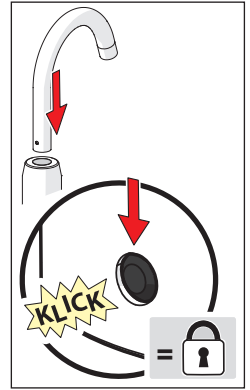
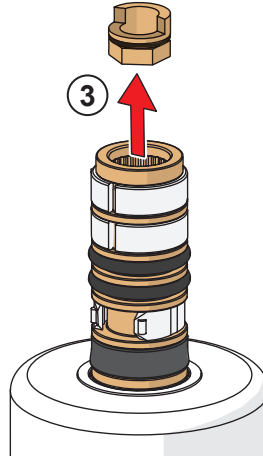
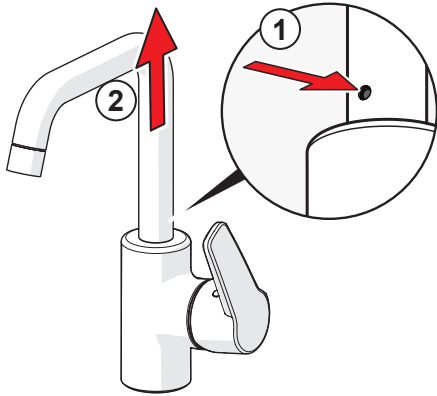
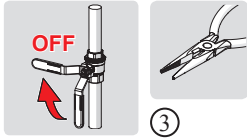




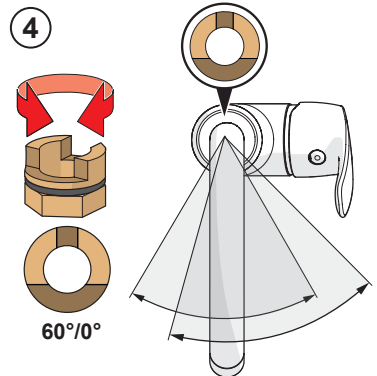
②







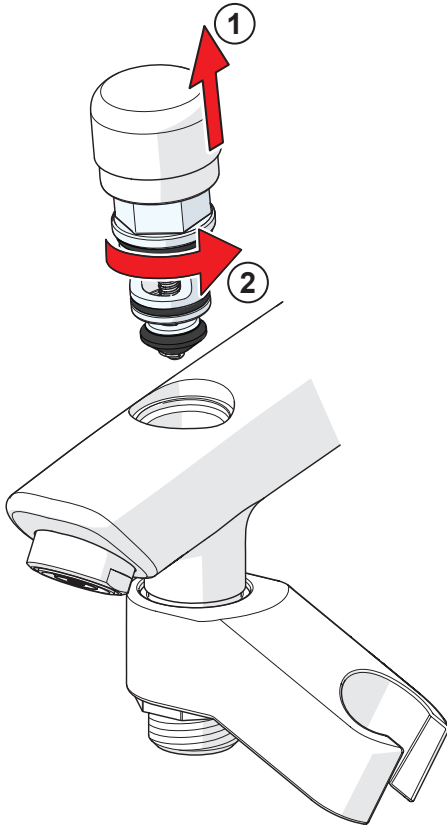
159670/10

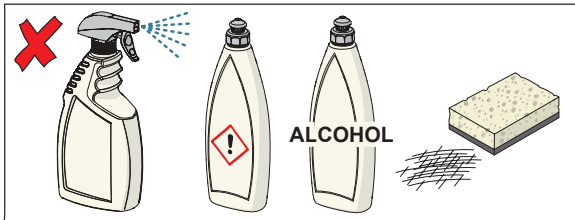
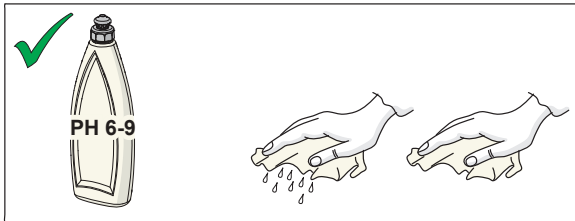
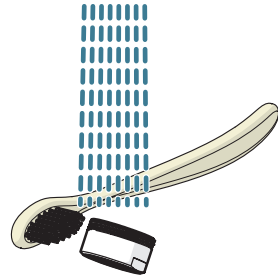
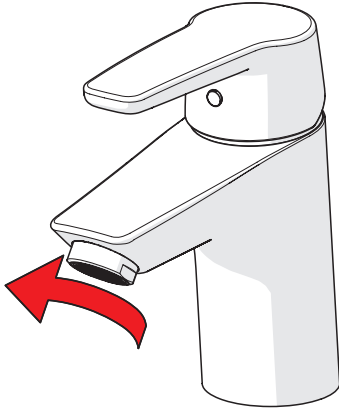


159667/10



①



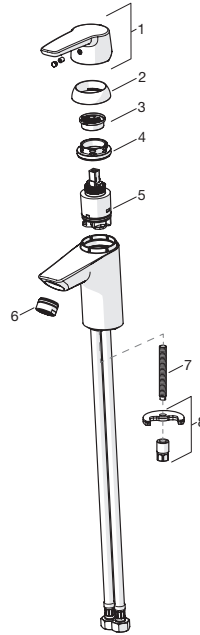


CLEANING.ORAS.COM



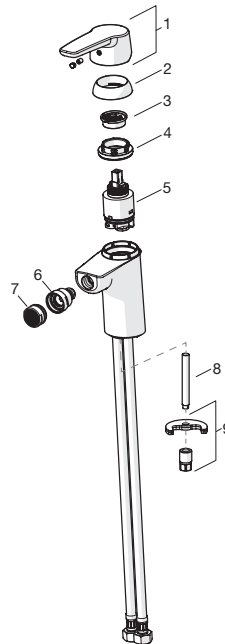
**3904 , 3904F , 3908F , 3910 ,
3910F , 3911F , 3912 , 3912F ,
3914F**

- 1 1000801V
- 2 601967V
- 3 601973V
- 4 601968V
- 5 601969V
- 6 601255V (3904F-102)
- 6 601166V (3904F-105)
- 6 601974V
- 6 601434V (3904F-104)
- 7 601970V
- 8 601985V



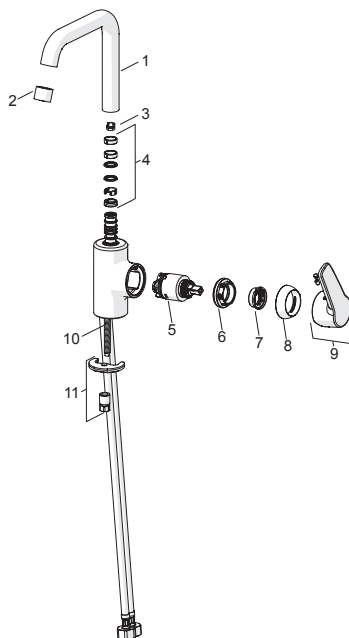
3918F

- 1 1000801V
- 2 601967V
- 3 601973V
- 4 601968V
- 5 601969V
- 6 601976V
- 7 601974V
- 8 601970V
- 9 601985V



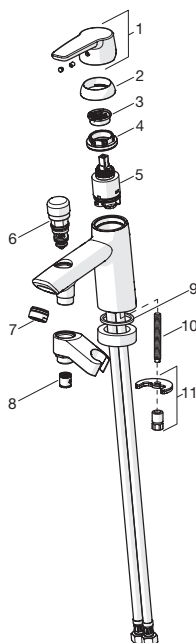
3907F , 3909F

- 1 1001051V
- 2 1001071V
- 3 159667V 60°/0°
- 3 159667/10 60°/0°
- 3 159670/10 120°
- 4 1001098V
- 5 601969V
- 6 601968V
- 7 601973V
- 8 601967V
- 9 1000986V
- 10 601970V
- 11 601985V



3946F

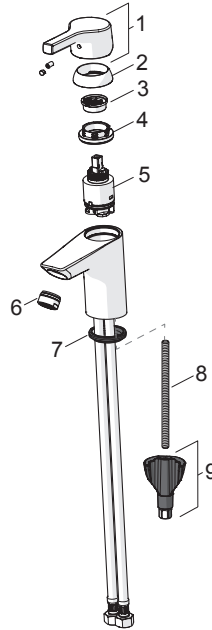
- 1 1000801V
- 2 601967V
- 3 601973V
- 4 601968V
- 5 601969V
- 6 602623V
- 7 602104V
- 8 601989V
- 9 602624/10
- 10 601970V
- 11 601985V





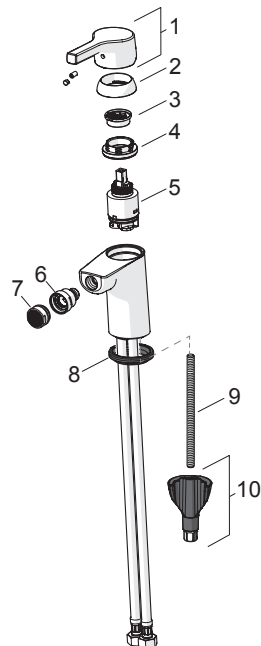
**3904FH , 3910FH , 3910FHK ,
3911FH , 3912FH**

- 1 1005671V
- 2 601967V
- 3 601973V
- 4 601968V
- 5 601969V
- 6 601974V
- 7 1002371V
- 8 1000780V
- 9 602610V



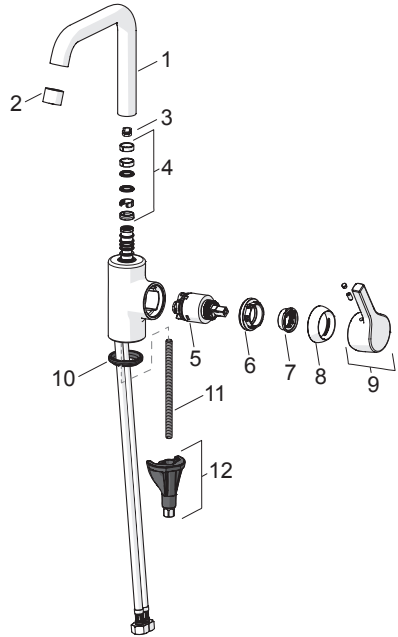
3918FH

- 1 1005671V
- 2 601967V
- 3 601973V
- 4 601968V
- 5 601969V
- 6 601976V
- 7 601974V
- 8 1002371V
- 9 1000780V
- 10 602610V



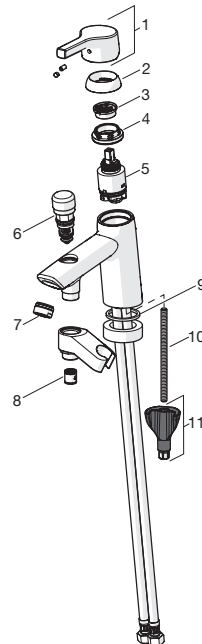
3907FH

- 1 1001051V
- 2 1001071V
- 3 159667V 60°/0°
- 3 159670/10 120°
- 3 159667/10 60°/0°
- 4 1001098V
- 5 601969V
- 6 601968V
- 7 601973V
- 8 601967V
- 9 1005672V
- 10 1002371V
- 11 1000780V
- 12 602610V



3946FH

- 1 1005671V
- 2 601967V
- 3 601973V
- 4 601968V
- 5 601969V
- 6 602623V
- 7 602104V
- 8 601989V
- 9 602624/10
- 10 1000780V
- 11 602610V



Oras Group is a powerful European provider of sanitary fittings: the market leader in the Nordics and a leading company in Continental Europe. The company's mission is to make the use of water easy and sustainable and its vision is to become the European leader of advanced sanitary fittings. Oras Group has two strong brands: Oras and Hansa.

The Group's head office is located in Rauma, Finland, and the Group has three manufacturing sites: Kralovice (Czech Republic), Olesno (Poland) and Rauma (Finland). Oras Group employs approximately 1,200 people in twenty countries. Oras Group is owned by Oras Invest, a family company and an industrial owner.

ORAS GROUP
Isometsäntie 2, P.O. Box 40
FI-26101 Rauma
Tel. +358 2 83 161
Fax +358 2 831 6300
info.finland@oras.com
www.oras.com



943235-05-20