

Features & Benefits

- Infinitely variable
- Condensation protection
- Adjustable distribution pattern
- Complete range of accessories

TL-E

Basic vent for wall mounting. Designed to ventilate basic areas such as storerooms, garages etc. Supplied with condensation protection. The airflow and the direction are adjusted with the front cap which is mounted on the internal part.



TL98E



TL80E

Specification

| Product | Description | Art no |
|--------------------|---|--------|
| TL98E Bulk | Complete vent with wall pipe Ø98/102 mm | 629850 |
| TL80E Bulk | Complete vent with wall pipe Ø81/85 mm | 628050 |
| TL-E Internal part | Internal part | 249850 |

The vent can easily be adjusted to suit special requests (larger coverplates, dB-pipe etc).

Technical data

| | |
|---------------|---|
| Capacity: | 9,8 l/s for TL98E and 7,8 l/s for TL80E at 10 Pa. |
| Wall opening: | Min. Ø86 mm for TL80E and Ø105 mm for TL98E |
| Material: | ABS plastic (recyclable) |
| Colour: | White, RAL 9010 |

Description/function

Standard

Basic vent for wall mounting. A complete set contain internal part, wall pipes and external grille (incl. mesh).

The pipes fit telescopically which provides a flexible join.

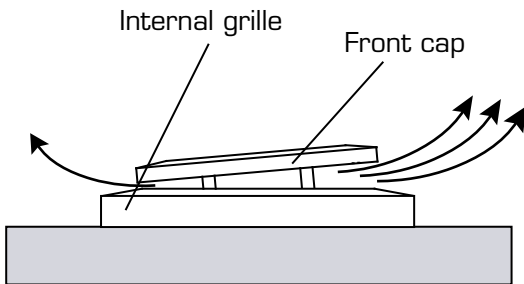
Internal part

The internal part contains a cap with a mounted condensation protection.

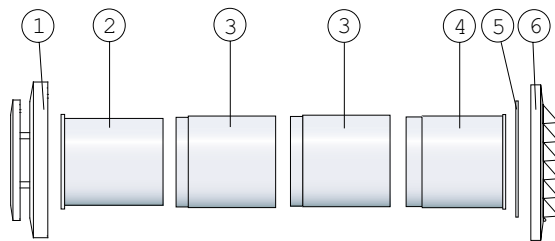
The airflow and the direction are adjusted with the front cap which is mounted on the internal part.

Mounting

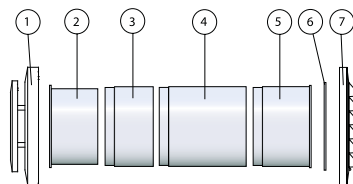
A high placing is recommended, preferably above a radiator. With this solution the incoming air mixes with the convection flow of warm air, ensuring maximum comfort.



| TL80E | | |
|-------|--------------------------|--------|
| Pos. | Description | Art no |
| 1 | TL-E Internal part | 249850 |
| 2 | Adapter 8 Ø81 x 90 mm | 660890 |
| 3 | Wall pipe Ø81/85 x 75 mm | 660875 |
| 4 | Adapter 8 Ø81/85 x 90 mm | 660892 |
| 5 | Insect mesh | 664003 |
| 6 | External grille #150 mm | 801701 |

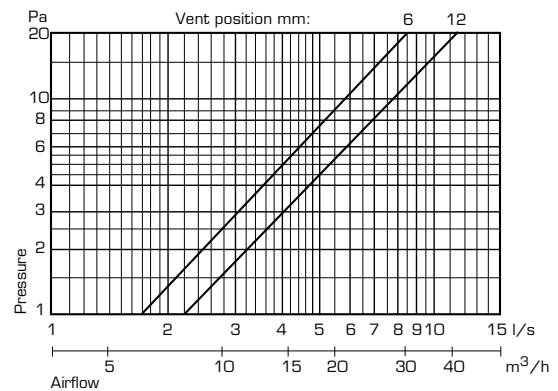


| TL98E | | |
|-------|---|--------|
| Pos. | Description | Art no |
| 1 | TL-E Internal part | 249850 |
| 2 | Adapter 10 Ø98 x 60 mm incl rain stopper | 661061 |
| 3 | Wall pipe Ø98/102 x 50 mm | 661050 |
| 4 | Wall pipe Ø98/102 x 100 mm | 188009 |
| 5 | Stos 10 utv. Ø98/102 x 60 mm | 661063 |
| 6 | Insect mesh | 664003 |
| 7 | External grille #150 mm | 801701 |

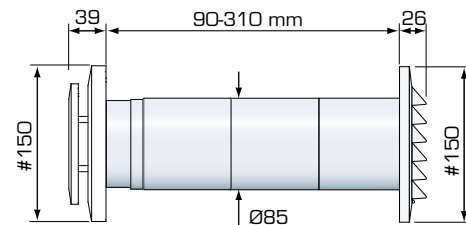


| Technical data TL80E | |
|----------------------|--|
| Capacity at 10 Pa: | 7,8 l/s |
| Wall opening: | Min. Ø86 mm |
| Max wall thickness: | 310 mm. Additional wall pipes are available (accessory). |
| Material: | ABS-plastic (recyclable) |
| Colour: | White, RAL 9010 |

Capacity TL80E

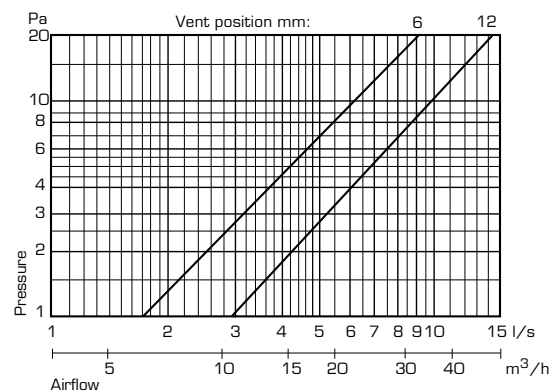


Dimensions TL80E

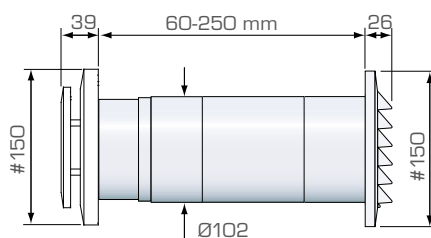


| Technical data TL98E | |
|----------------------|--|
| Capacity at 10 Pa: | 9,8 l/s |
| Wall opening: | Ø105 mm |
| Max wall thickness: | 250 mm. Additional wall pipes are available (accessory). |
| Material: | ABS-plastic (recyclable) |
| Colour: | White, RAL 9010 |

Capacity TL98E

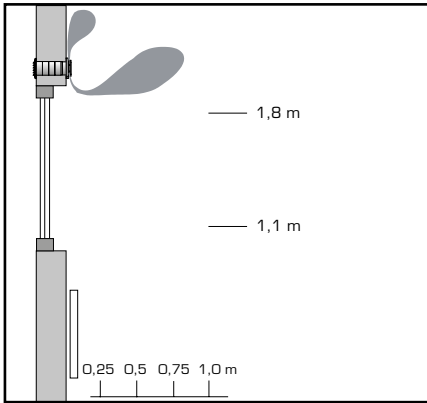


Dimensions TL98E

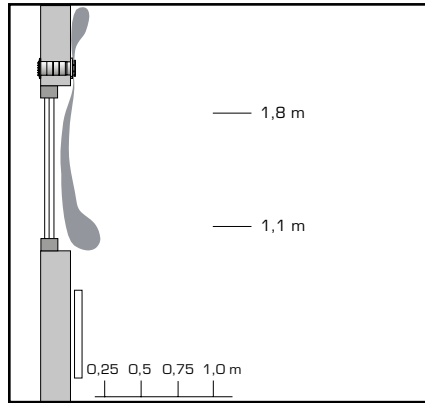


Distribution pattern

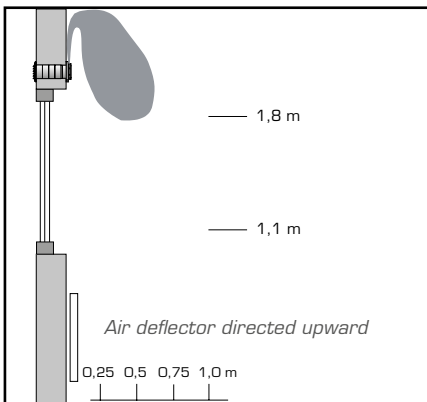
As shown in the diagrams below TL-E can handle up to 8 l/s even at -20°C without causing draught problems. The shaded areas indicates air movements above 0.15 m/s.



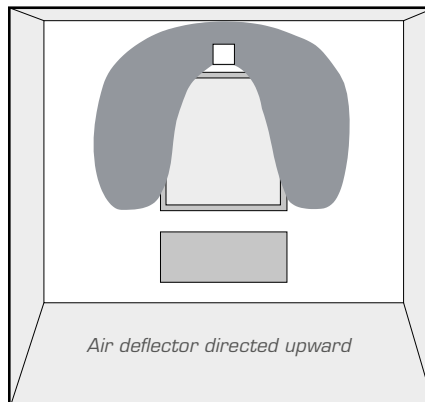
Outdoor temperature: -20°C
Indoor temperature: +20°C
Airflow: 8 l/s
Capacity of radiator: 750 W



Outdoor temperature: +/- 0°C
Indoor temperature: +20°C
Airflow: 8 l/s
Capacity of radiator: 400 W



Outdoor temperature: +/- 0°C
Indoor temperature: +20°C
Airflow: 8 l/s
Capacity of radiator: 200 W



Outdoor temperature: +/- 0°C
Indoor temperature: +20°C
Airflow: 8 l/s
Capacity of radiator: 200 W

Maintenance

It is important to keep the filter clean in order to ensure correct airflow and to retain good air quality. We recommend to clean the channel and the insect mesh once a year. If the channel filter (accessory) is used we recommend to clean/replace it 1-2/year.

The channel filter is washable (use a gentle soap/detergent).

Accessories



Wall pipe
Available in different sizes and lengths



Coverplate
Available in different sizes and colours



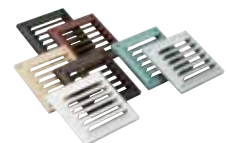
Storm shield
Regulates air supply during heavy winds



Channel filter



Rain shield



External grille
Available in different sizes and colours