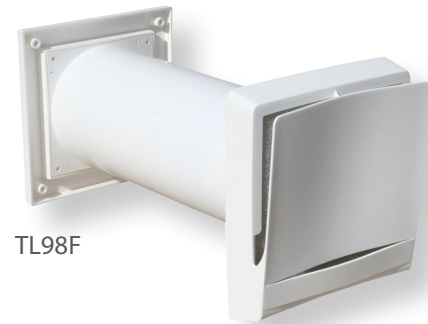


### Features & Benefits

- Variable airflow-adjustment
- Condensation protected
- Distribution pattern for floor-heating
- Built-in minimum-flow
- Several filter-alternatives

### Fresh TL-F

A flexible air vent for wall mounting designed to provide a continuous airflow into the house. TL-F is also available in sound reduced models.



### Specification

Product	Description	Art no
TL80F	Complete wall vent with wall pipe Ø81/85 mm and external grille	628040
TL98F 98/102	Complete wall vent with wall pipe Ø98/102 mm and external grille	629840
TL98F 98/104	Complete wall vent with wall pipe Ø98/104 mm and external grille DIY	629865
TL98F 98/104	Complete wall vent with wall pipe Ø98/104 mm and external grille	629835
TL-F Internal part	Internal part without adapter	249820
TL80F-dB	Complete sound reducing vent, wall pipe Ø81/140 x 400 mm	638040
TL80F-dBS	Complete sound reducing vent, wall pipe Ø81/124 x 400 mm	638050
TL98F-dB	Complete sound reducing vent, wall pipe Ø98/140 x 400 mm	639840

The vent can easily be adjusted to suit special requests (larger coverplates, other dB-pipe lengths etc.)

### Technical data

Capacity:	8,1 l/s for Ø98-vents and 7,8 l/s for Ø80-vents at 10 Pa
Hole opening:	Ø86, Ø105, Ø125 or Ø150 mm depending on model
Material:	ABS plastic (recyclable)
Colour:	White, NCS S0502-Y



### Description/function

TL-F is a wall vent with a very comfortable distribution pattern, mainly designed for floor-heating. The internal part is delivered with a replaceable dust & insect filter. The airflow is adjusted by a regulator which is hidden underneath the front cover. TL-F is available in several different soundreducing models.

### Standard

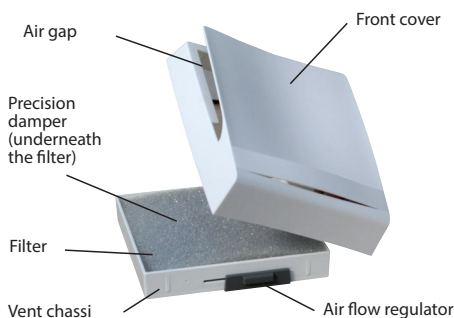
TL-F is a supply air vent for wall mounting. A complete set contain internal part, adapters, wall pipes and external grille. The wall pipes are available in different lengths and fit telescopically which gives a flexible joint. The internal vent and external grille fit onto the adapters with snap-in closure.

### Internal part

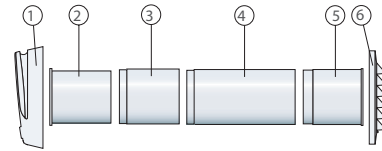
A complete version of the vent is supplied with wall pipes and external grille. Two different wall-pipe-sets are available. Alternative 1 (TL98F 98/104 Telescopic) consists of two long telescopic adapters, one adapter has a sealing which makes a tight connection to the other adapter. The other adapter can be extended with extra wall pipes. The minimum wall thickness is 185mm. Alternative 2 (TL98F 98/102) consists of two shorter adapters and several wall pipes which can be fitted by simply pushing them together. The internal vent part and the external grille both fit the adapters with a snap-in bracket. The minimum thickness is 100mm.

### Sound-reduced model

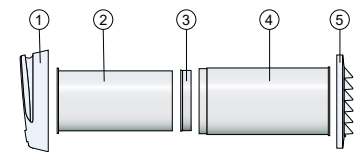
The sound-reduced model has another wall pipe than the standard vent. Besides the dB-pipe the set also contain two cover plates and two short adapters. The sound-reduced wall pipe has a standard length of 400mm. The pipe can easily be cut to requested length.



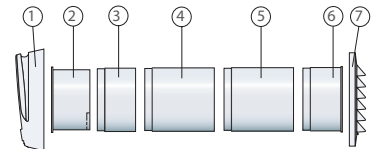
TL80F		
Pos.	Description (mm)	Art no
1	TL-F internal part	249820
2	Adapter 8 int. Ø81 x 90	660890
3	Wall pipe Ø81/85 x 75	660875
4	Wall pipe Ø81/85 x 150	800150
5	Adapter 8 ext. Ø81/85x90	660892
6	External grille #150 mm	801701



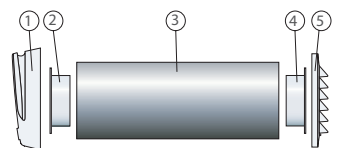
TL98F 98/104 Telescopic		
Pos.	Description (mm)	Art no
1	TL-F internal part	249820
2	Adapter 10 int. Ø98 x 185	661073
3	Sealing Ø98/100	002283
4	Adapter 10 ext. Ø100/104 x 185	661072
5	External grille #150 mm	801701



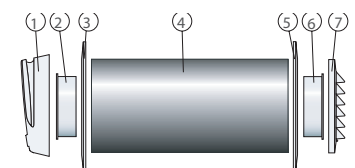
TL98F 98/102		
Pos.	Description (mm)	Art no
1	TL-F internal part	249820
2	Adapter 10 int. with rainstop Ø98 x 60	661061
3	Wall pipe Ø98/102 x 50	661050
4	Wall pipe Ø98/102 x 100	188009
5	Wall pipe Ø98/102 x 100	188009
6	Adapter 10 ext. Ø102 x 60	661063
7	External grille #150 mm	801701



TL80F-dBS		
Pos.	Description (mm)	Art no
1	TL-F internal part	249820
2	Adapter 8 int.short Ø81x30	660830
3	dB-S pipe Ø80/124, L=400mm	668003
4	Adapter 8 int. short Ø81x30	660830
5	External grille #150 mm	801701



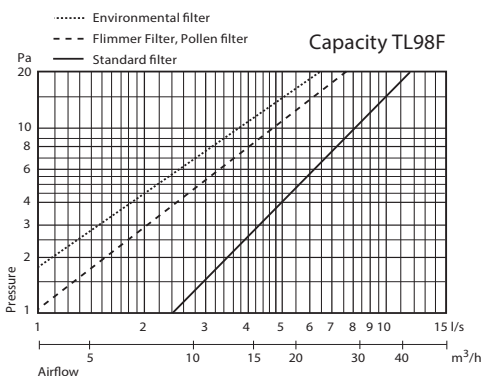
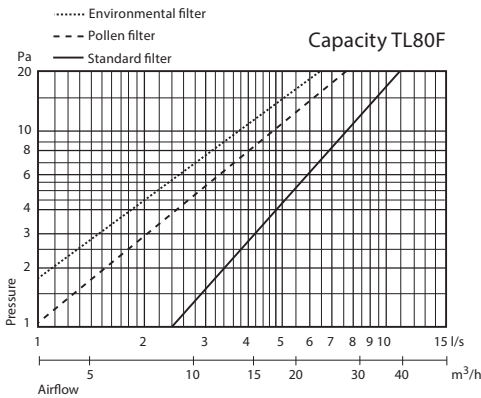
TL80/98F-dB		
Pos.	Description (mm)	Art no
1	TL-F internal part	249820
2	Adapter 8 alt.10 int.short	
3	Cover plate #180 mm	661801
4	dB-pipe Ø98 alt. 81x143, L=400mm	
5	Cover plate #180 mm	661801
6	Adapter 8 alt. 10 int.short	
7	External grille #150 mm	801701



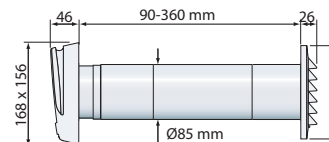
### Mounting

A high placing on the wall is recommended. The vent can with advantage be used in rooms with floor heating as it has been designed mainly for this solution. If there is a radiator in the room the vent should be placed above it. With this solution the convection flow is used and maximum comfort is achieved.

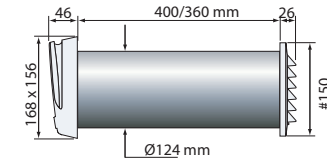
Technical data TL-F vents	
Capacity TL80F at 10 Pa:	7,8 l/s
Capacity TL98F at 10 Pa:	8,1 l/s
Wall opening TL80F:	Ø86 mm
Wall opening TL98F 98/102:	Ø105 mm
Wall opening TL98F 98/104:	Ø108 mm
Wall opening TL80F-dBS:	Ø125 mm
Wall opening TL80F-dB, TL98F-dB:	Ø150 mm
Max. wall thickness TL80F:	360 mm
Max. wall thickness TL98F 98/102	350 mm
Max. wall thickness TL98F 98/104:	340 mm
Additional pipes can be used for thicker walls.	
Max. wall thickness dB-models:	400/360 mm
For thicker walls please contact Fresh AB.	
Material:	Plastic (recyclable)
Colour:	White, NCS S0502-Y



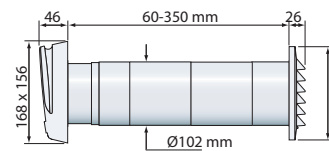
### Dimensions TL80F



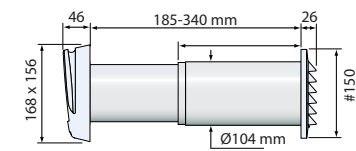
### TL80F-dBS



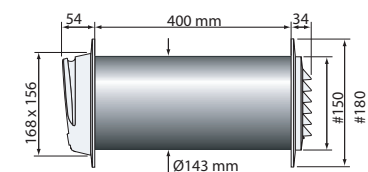
### TL98F 98/102



### TL98F 98/104 Telescopic



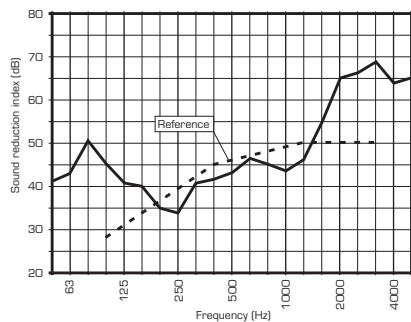
### TL80F-dB, TL98F-dB



### Sounddata

The diagrams show sound reduction with fully open vent and 300mm wall. The test has been made according to ISO 140-10. Normalized level diff. for building section, calculating on 10 m<sup>2</sup>.

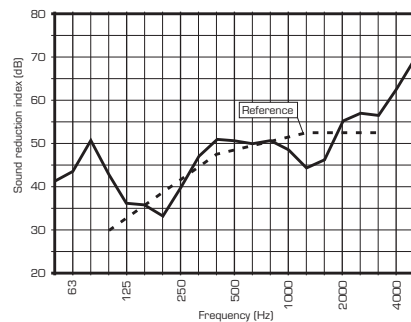
#### TL80F-dBS



D<sub>n,e,w</sub> 46 dB  
D<sub>n,e,w,8</sub> 46 dB

(C;Ctr) (0;-3) Sum. Dev. 25,6  
50-3150 (0;-3) Max. Dev. 5,8  
50-5000 (1;-3) Frequency 1000

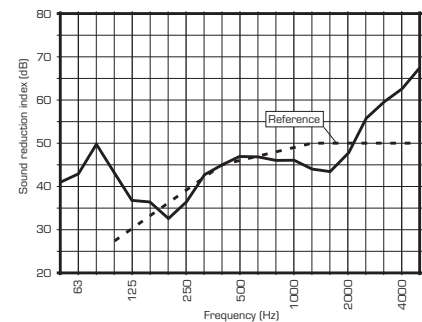
#### TL80F-dB



D<sub>n,e,w</sub> 49 dB  
D<sub>n,e,w,8</sub> 49 dB

(C;Ctr) (-2;-5) Sum. Dev. 27,9  
50-3150 (-2;-5) Max. Dev. 8,8  
50-5000 (-1;-5) Frequency 1250

#### TL98F-dB

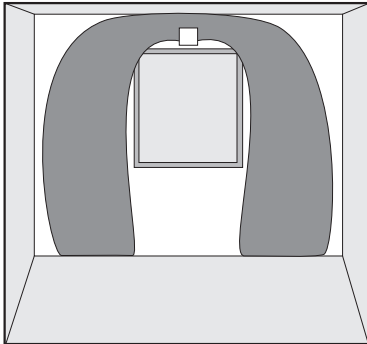


D<sub>n,e,w</sub> 46 dB  
D<sub>n,e,w,8</sub> 46 dB

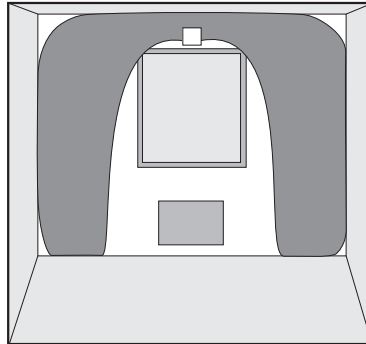
(C;Ctr) (-1;-3) Sum. Dev. 27,9  
50-3150 (-1;-3) Max. Dev. 6,9  
50-5000 (0;-3) Frequency 1600

### Distribution pattern

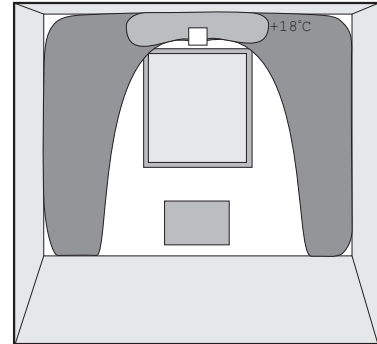
As shown in the diagrams below TL-F can handle up to 8 l/s at -20°C without any draught problems. The shaded areas indicates air movements above 0.15 m/s.



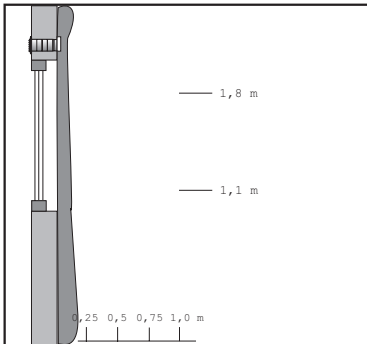
Floor heating, frontside  
Airflow 8 l/s, indoor temp +19°C  
Power 0 W/m<sup>2</sup>, outdoor temp -20°C



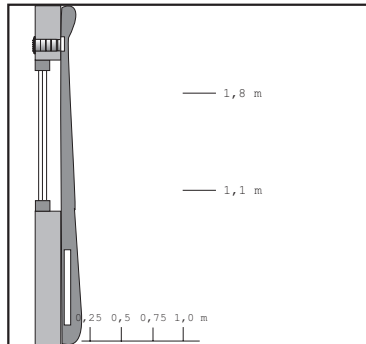
Radiator heating, frontside  
Airflow 8 l/s, indoor temp +21°C  
Power 500 W, outdoor temp -20°C



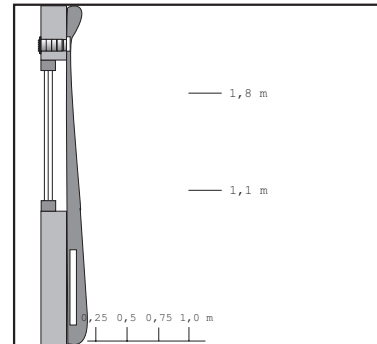
Radiator heating, frontside  
Airflow 6 l/s, indoor temp +19°C  
Power 1000 W, outdoor temp -20°C



Floor heating, sideways  
Airflow 8 l/s, indoor temp +19°C  
Power 0 W/m<sup>2</sup>, outdoor temp -20°C



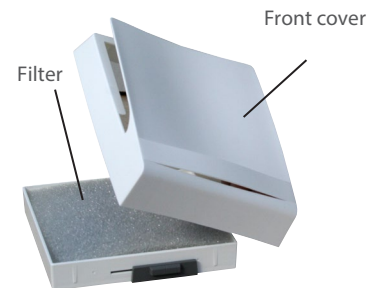
Radiator heating, sideways  
Airflow 8 l/s, indoor temp +21°C  
Power 500 W, outdoor temp -20°C



Radiator heating, sideways  
Airflow 8 l/s, indoor temp +19°C  
Power 1000 W, outdoor temp -20°C

### Maintenance

In order to ensure correct airflow and to retain good air quality it is important to keep the filter clean. We recommend to wash/replace the filter 1-2 times/year. The Standard filter is washable, use a gentle detergent. The Flimmer and Pollen filter should be replaced with a new one. The filter is mounted behind the front cover, it is easily removed by pulling the vent chassi straight outwards.



### Accessories

TL-F has a large range of accessories for further flexibility.



Wall pipes, available in different dimensions and lengths.



Cover plates, available in different sizes



Storm shield, protection against heavy winds and water penetration



Storm shield, protection against heavy winds and water penetration



Filters, Standard filter and Allergy filter.



Flimmer filter, high efficient filter.



Rain-shield, designed for weather-exposed areas.



External grilles, available in different sizes and colours.