

- Connection valve with ball shut-off for radiators with integrated valve.
- Shut-off with position indicator, without stop.
- With 3/4" Euro taper on the pipe side for connection with compression adapters.
- 50 mm axial distance.
- Union nut on the radiator side with radial and axial clearance for fitting valves on radiators without tension.
- Hard chrome-plated ball in a Teflon seat.
- Sealing insert secured against slipping.

Line 1:

- With connection nipples 1/2" x 3/4" with O-ring, flat sealing, for radiators with integrated valve with G 1/2" female thread.

Line 2:

- With cone inserts for radiators with integrated valve with G 3/4" male thread.

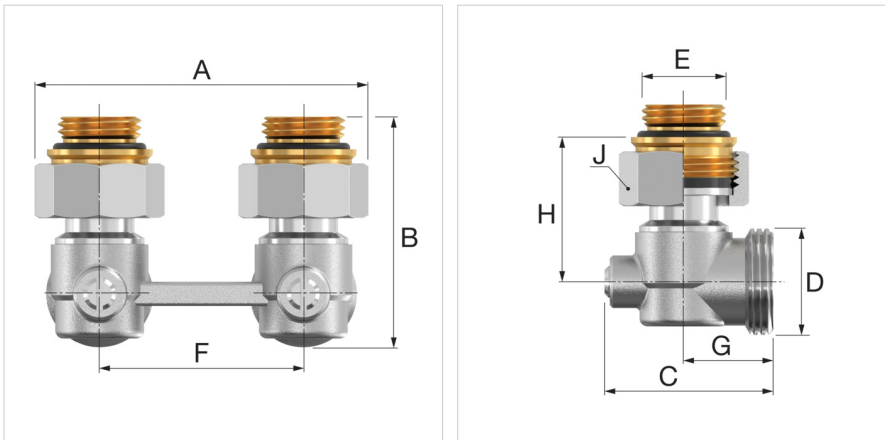

Technical Specifications

- Max. operating temperature: 110 °C permanent temperature, 130 °C short-term
- Max. operating pressure: 10 bar
- Operating medium: Heating water in accordance with VDI 2035

Materials

- Housing, union nuts: Nickel-plated brass
- Connection nipples, cone inserts, spindles: Brass
- Ball: Hard chrome-plated brass
- Ball seal: PTFE
- Seals: EPDM
- Thread: ISO 228

Description	HB STANDARD E1/50 - Line 1
Order Code	F10013
GTIN	04013852200357
Model	<u>Standard H-Module</u>
Connection radiator (E) ["]	G 1/2" M
Connection tube (D)	G 3/4" M
Axial distance [mm]	50
Shape	Angle



Dimensions

Type	Dimensions [mm]						
	A	B	C	F	G	H	J (WS)
HB STANDARD D1/50 - Line 1	82	65,0	35,5	50	56,8	-	12
HB STANDARD E1/50 - Line 1	82	56,5	41,5	50	22,0	35,6	12
HB STANDARD D2/50 - Line 2	82	55,5	35,5	50	47,5	-	12
HB STANDARD E2/50 - Line 2	82	47,5	41,5	50	22,0	26,0	12

Classification General Data

Etim Group	Fittings, flanges and connectors
Etim Class	Bottom H-block
Product Name	
Brand	COMAP
Product Type	Two pipes
Order Code	F10013
GTIN	04013852200357

Attributes

Material	Brass
Size of radiator connection	1/2 inch external thread
Size of pipe connection	3/4 inch Euroconus
Connection direction towards floor (straight)	No
Connection direction towards wall (square)	Yes
Suitable for two pipe system	Yes
Suitable for single pipe system	No
Surface protection	Nickel-plated
Lockable	Yes
Adjustable	No
Self-controlling	No
Thermostatically prepared	No
Suitable for filling/drain tap	No
Four-way supply/return connection	No
Centre distance, supply/return	50 Millimetre
Length	82 Millimetre
Offset	0 Millimetre

Find more information online:

[STEP](#)
[DWG](#)
[RFA](#)