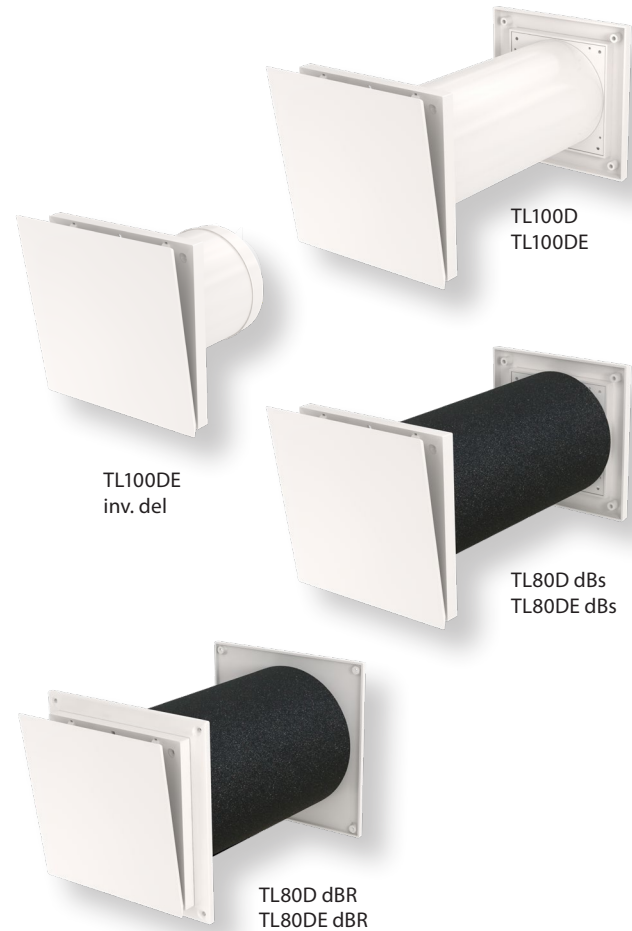


- Discreet design
- Powerful condensation protection
- Weatherproof
- Simple to maintain
- Energy-saving storm shield
- Noise-reducing versions
- Several filter options

*TL-DE wall vent for wall mounting, designed for continuous ventilation of homes. The vent has strong condensation insulation and filter. The vent is also designed with overventilation protection and storm shield (the models with E in the designation).*

*The air quantity is regulated with the front which has a mechanism for changing the opening angle.*

*Also available in a number of noise-reducing versions.*



## Specification

Product	Description	Art no
TL 100D internal part	Internal vent part with adapter Ø98x110 mm. Dust/insect filter	629060
TL 100DE internal part	Internal vent part with adapter Ø98x110 mm. Dust/insect filter and storm shield.	629063
TL 100DE internal part	Internal vent part with adapter Ø98x110 mm. Dust/insect filter and storm shield, individually packed	629066
TL 98D	Complete with wall pipe Ø98/102 mm and external grille	629090
TL 98DE	Complete with wall pipe Ø98/102 mm and external grille. Storm shield	629093
TL 100D	Complete with wall pipe Ø100/104 mm and external grille	629072
TL 100DE	Complete with wall pipe Ø100/104 mm and external grille. Storm shield	629571
TL 100DE	Complete with wall pipe Ø100/104 mm and external grille. Storm shield, individually packed	629700
TL 80DE dBs	Complete noise-reducing vent with storm shield, wall pipe Ø81/124x360 mm, individually packed	629087
TL 80D dBR	Complete noise-reducing vent with wall pipe Ø80/148x400 mm	629081
TL 80DE dBR	Complete noise-reducing vent with storm shield, wall pipe Ø80/148x400 mm	629084

The vent can also be customised according to the customer's wishes, e.g. larger cover plates for the dB models, a different wall pipe length, etc.

## Technical data

Capacity:	7.9 l/s and 7.5 l/s for models with storm shield at 10 Pa
Wall opening:	Ø105, Ø108, Ø125, or Ø150 mm depending on model
Material	Plastic (recyclable)

### General

Wall vent with a very discreet design. It is possible to wallpaper and paint over the front. The vent is equipped with strong condensation insulation, overventilation protection, storm shield (certain models) and filters. The storm shield prevents the loss of energy when affected by the wind. The flow is regulated at the front which has a mechanism for changing the opening angle. The front is opened at the upper edge and forces air upwards which provides a comfortable distribution pattern even with underfloor heating. The vent is also available in a number of noise-reducing versions.

### Standard wall pipe

A complete version of the vent is supplied with wall pipes and external grille. Two different wall-pipe-sets are available. Alternative 1 consists of two long telescopic adapters, one adapter has a sealing which makes a tight connection to the other adapter. The other adapter can be extended with extra wall pipes. The minimum wall thickness is 185mm. Alternative 2 consists of two shorter adapters and several wall pipes which can be fitted by simply pushing them together. The internal vent part and the external grille both fit the adapters with a snap-in bracket. The minimum thickness is 100mm.

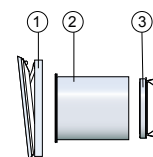
### Noise-reducing

The noise-reducing versions have a different wall pipe compared to the standard version. It consists of a noise-absorbing pipe, two cover plates as well as two short adapters. The noise-absorbing pipe is easy to cut to the correct length with a knife. Standard pipe length 360mm (TL80DE dBs) and 400 mm (TL80DE dBR), longer pipes can be made to order.

### Internal vent part

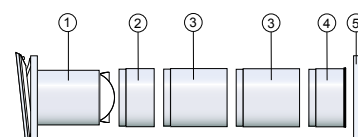
The internal vent part has strong condensation insulation, filter, as well as a front that can be angled upward at the upper edge to set the flow. The filter is mounted in a filter cassette which is also equipped with a guard to protect against any water running in. The front has four opening positions for varying the flow. The distribution pattern has been carefully developed in order to suit underfloor heating systems, the vent releases the air upwards and to the sides. The intervention of indoor air is very effective; strongly cooled air reaches a comfortable temperature only a few decimeters from the fitting.

Included parts TL100DE internal part	
	Description
1	TL-D internal part
2	Adapter 10 internal Ø98 x 110 with filter
3	Storm shield



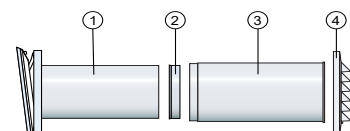
Also available without storm shield TL100D internal part

Included parts TL98DE	
	Description
1	TL100DE internal part
2	Wall pipe Ø98/102 x 50
3	Wall pipe Ø98/102 x 100
4	Adapter 10 external Ø102 x 60
5	External grille #150 mm



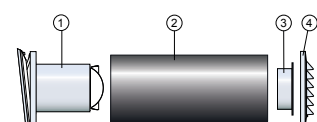
Also available without storm shield

Included parts TL100DE	
	Description
1	TL100DE internal part with adapter 10 internal Ø98 x 185
2	Seal Ø98/100
3	Adapter 10 external Ø100/104 x 185
4	External grille #150 mm



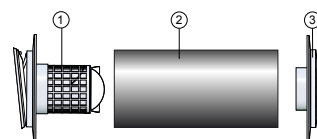
Also available without storm shield TL100D

Included parts TL80DE dBs	
	Description
1	TL100DE internal part
2	dBs pipe Ø98/80/124, L=360 mm
3	Adapter 8 internal short Ø81x30
4	External grille #150 mm



Also available without storm shield TL80D dBs

Included parts TL80DE-dBR	
	Description
1	TL100DE dB internal part with cover plate #180 mm
2	dBR pipe Ø98/81/148, L=400mm
3	External grille #150 mm with adapter Ø81x30 and cover plate #180 mm



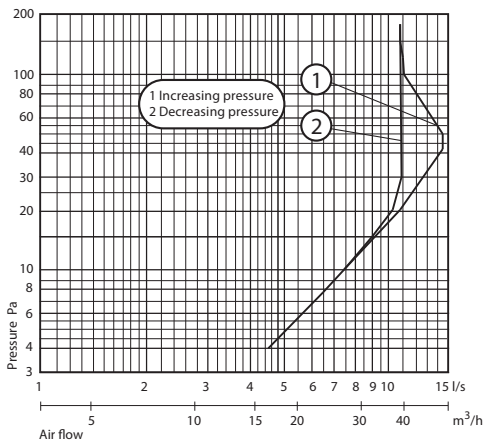
Also available without storm shield TL80D dBR.

### Mounting

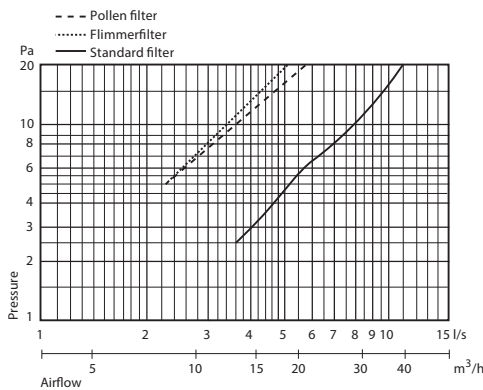
The vent should be placed high up on the wall. If there is a radiator, you should try to position the vent above it. Positioning it like this utilises the convection current, achieving the best comfort. The vent works excellently with underfloor heating systems as it was designed for this.

### Capacity

TL 100DE / TL 80DE dBs / TL 80DE dBR



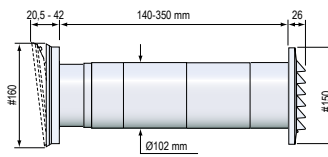
TL 100D / TL 80D dBs / TL 80D dBR



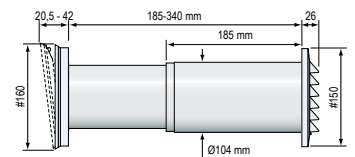
Technical data TL-D vents	
Capacity TL 100DE at 10 Pa:	7,5 l/s
Capacity TL 100D at 10 Pa:	7,9 l/s
Capacity TL 80DE dBs / TL80DE dBR at 10 Pa:	7,5 l/s
Capacity TL 80DE dBs / TL 80DE dBR at 10 Pa:	7,9 l/s
Wall opening TL 98DE / TL100DE:	Ø105/108 mm
Wall opening TL 80DE dBs:	Ø125 mm
Wall opening TL 100DE dB:	Ø150 mm
Max wall thickness TL 98DE:	350 mm
Max wall thickness TL 100DE:	340 mm
Max wall thickness TL 80DE dBs	360 mm
Max wall thickness TL 100DE dB	400 mm
For thicker walls, contact Fresh AB.	
Filter	Dust and insect filter PPI 10
Material:	ABS
Colour:	White, NCS S1002-650Y

### Dimensions

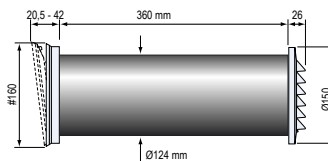
TL 98D/TL 98DE



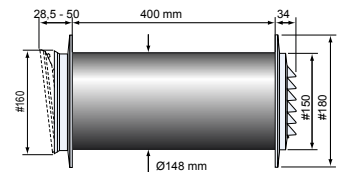
TL 100D/TL 100DE Telescopic



TL 80D dBs/TL 80DE dBs



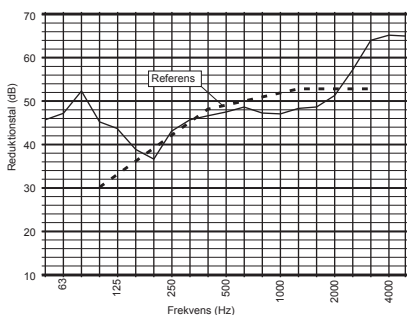
TL 80D dB/TL 80DE dB



### Noise data

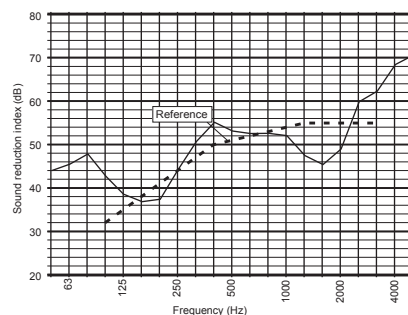
The diagram shows the noise reduction with a fully open vent. Measurement according to ISO 140-10. Normalized difference in level for the building component, calculated at 10 m<sup>2</sup>.

TL 80D dBs (360 mm wall)



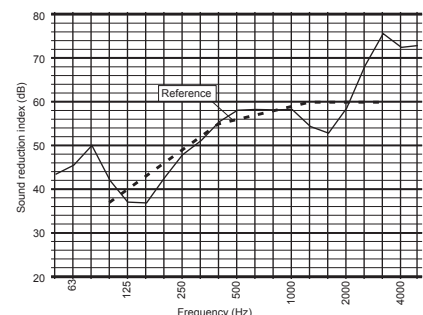
$D_{n,e,w}$  49 dB

TL 80D dBR (300 mm wall)



$D_{n,e,w}$  51 dB

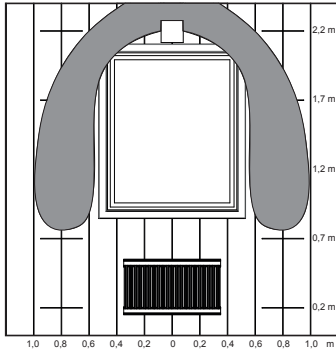
TL 80D dBR (400 mm wall)



$D_{n,e,w}$  56 dB

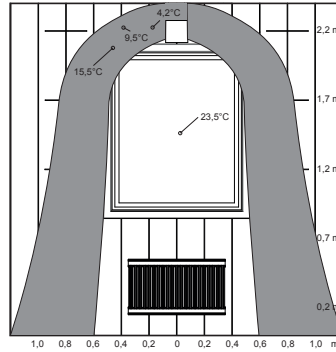
### Distribution pattern

As the illustrations below show, the vent can manage 7 l/s with no draught, even without a heat source. The shaded areas mark air movements above 0.15 m/s.



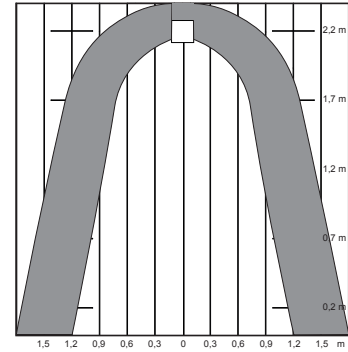
#### Radiator heat, frontside

Air flow 7 l/s, indoor temperature +22.8°C  
Radiator output 500 W  
Outdoor temperature -15.6°C



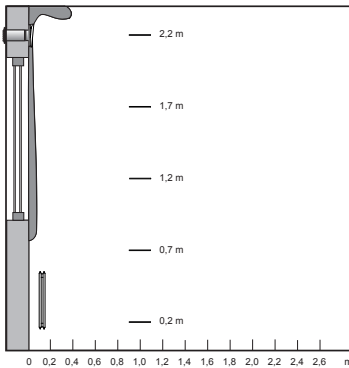
#### Radiator heat, frontside

Air flow 7 l/s, indoor temperature +23.1°C.  
Radiator output 150 W,  
Outdoor temperature -14.7°C



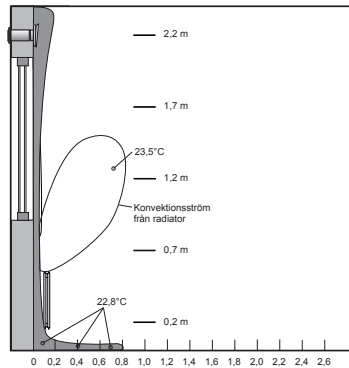
#### Radiator heat, frontside

Air flow 7 l/s, indoor temperature +21°C.  
Output 0 W/m<sup>2</sup>  
Outdoor temperature -16.4°C



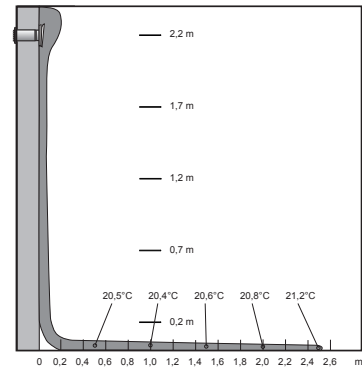
#### Radiator heat, sideways

Air flow 7 l/s, indoor temperature +22.8°C  
Radiator output 500 W  
Outdoor temperature -15.6°C



#### Radiator heat, sideways

Air flow 7 l/s, indoor temperature +23.1°C  
Radiator output 150 W  
Outdoor temperature -14.7°C

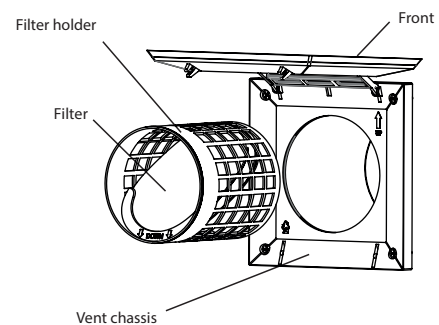


#### Radiator heat, sideways

Air flow 7 l/s, indoor temperature +21°C  
Output 0 W/m<sup>2</sup>  
Outdoor temperature -16.4°C

### Maintenance

To ensure good air quality and maintain airflow, the filter should be cleaned/replaced 1–2 times a year. The standard filter is washable, use a mild detergent. Replace pollen and Flimmer filters. The standard/pollenfilter is installed in a filter cassette behind the front which is easily removed by releasing the front from the lower brackets and then lifting it up. The filter cassette is pulled straight out from the vent chassis. The Flimmer filter replaces the filter holder and can not be combined with the stormshield.



### Accessories

There is a complete range of accessories for the vent.



Wall pipes, available in different dimensions and lengths.



Cover plates, available in different sizes.



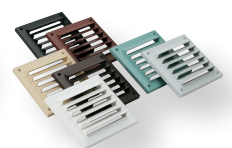
Tyfon, designed for weatherexposed areas.



Filters, several alternatives.



Flimmer filter, high efficient filter.



External grille, available in several different sizes and colours.