

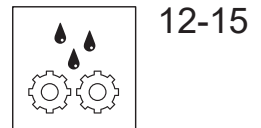
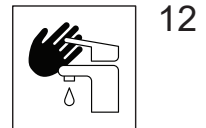


Oras Saga

Installation and maintenance guide



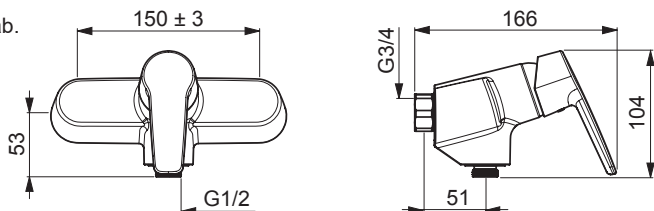
Accepterad
monteringsanvisning
2016:1





3960

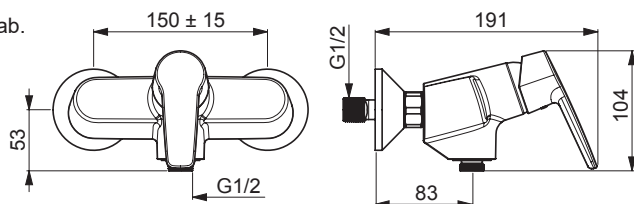
I (ISO 3822) Oras lab.
EN 817
50 - 1000 kPa
0.27 l/s (300 kPa)
165 kPa (0.2 l/s)
max. +80°C



mpi.oras.com/3960

3960Y

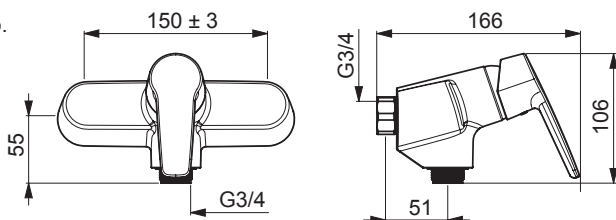
I (ISO 3822) Oras lab.
EN 817
50 - 1000 kPa
0.27 l/s (300 kPa)
165 kPa (0.2 l/s)
max. +80°C



mpi.oras.com/3960Y

3970

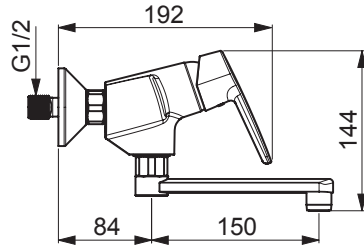
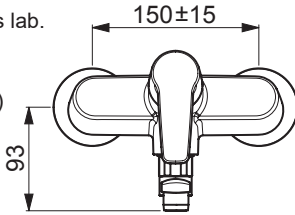
I (ISO 3822) Oras lab.
EN 817
50 - 1000 kPa
0.27 l/s (300 kPa)
165 kPa (0.2 l/s)
max. +80°C



mpi.oras.com/3970

3915Y

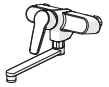
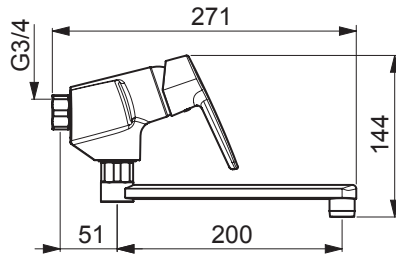
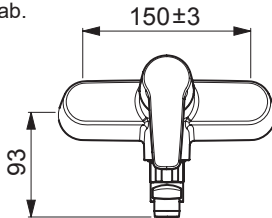
I (ISO 3822) Oras lab.
EN 817
50 - 1000 kPa
0.23 l/s (300 kPa)
230 kPa (0.2 l/s)
max. +80°C



mpi.oras.com/3915Y

3937

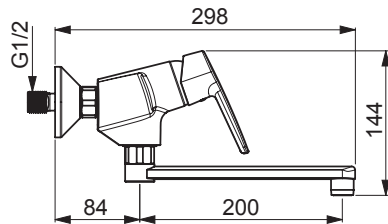
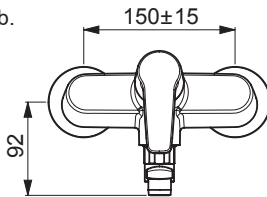
I (ISO 3822) Oras lab.
EN 817
50 - 1000 kPa
0.23 l/s (300 kPa)
230 kPa (0.2 l/s)
max. +80°C



mpi.oras.com/3937

3937Y

I (ISO 3822) Oras lab.
EN 817
50 - 1000 kPa
0.23 l/s (300 kPa)
230 kPa (0.2 l/s)
max. +80°C

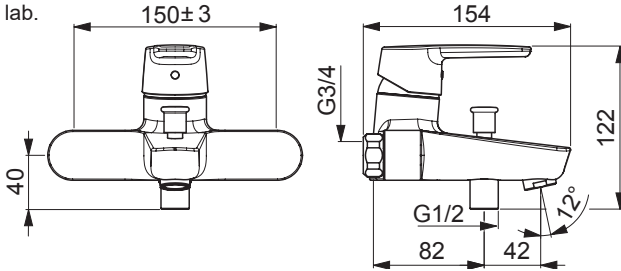


mpi.oras.com/3937Y



3940

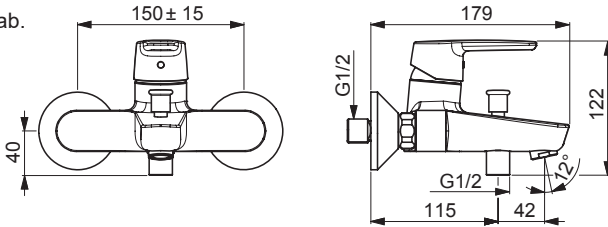
II (ISO 3822) Oras lab.
 EN 817
 50 - 1000 kPa
 0.33 l/s (300 kPa)
 165 kPa (0.2 l/s)
 300 kPa (0.3 l/s)
 max. +80°C



mpi.oras.com/3940

3940Y

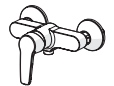
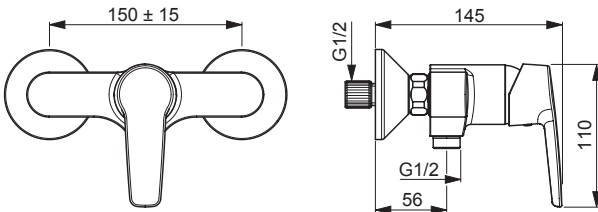
II (ISO 3822) Oras lab.
 EN 817
 50 - 1000 kPa
 0.33 l/s (300 kPa)
 165 kPa (0.2 l/s)
 300 kPa (0.3 l/s)
 max. +80°C



mpi.oras.com/3940Y

3963Y

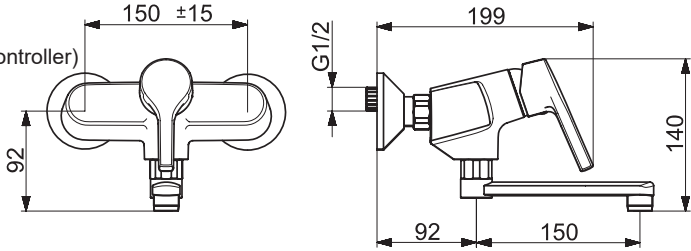
EN 817
 50 - 1000 kPa
 0.27 l/s (300 kPa)
 165 kPa (0.2 l/s)
 max. +80°C



mpi.oras.com/3963Y

3915HY

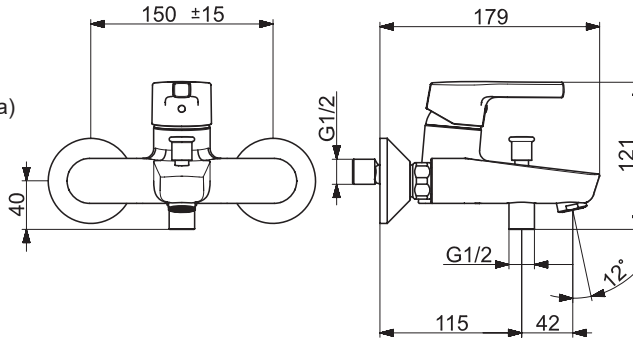
I(ISO3822)
 EN 817
 50 - 1000 kPa
 0.2 l/s (300 kPa w/Controller)
 max. +80°C



mpi.oras.com/3915HY

3940HY

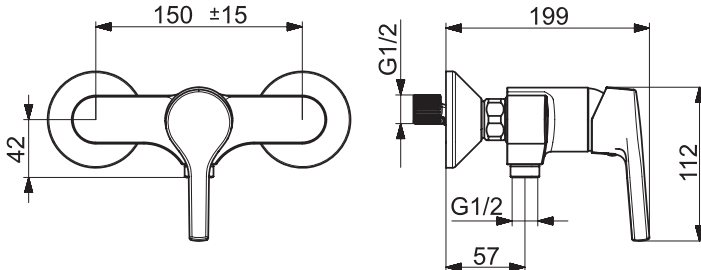
I(ISO 3822)
 EN 817
 50 - 1000 kPa
 0.35 / 0.3 l/s (300 kPa)
 max. +80°C



mpi.oras.com/3940HY

3963HY

I(ISO 3822)
 EN 817
 50 - 1000 kPa
 0.3 l/s (300 kPa)
 max. +80°C

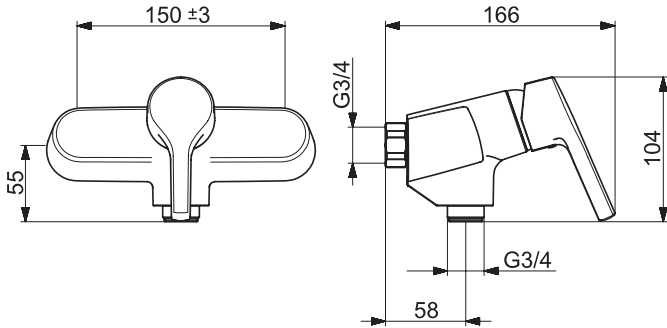


mpi.oras.com/3963HY



3970H

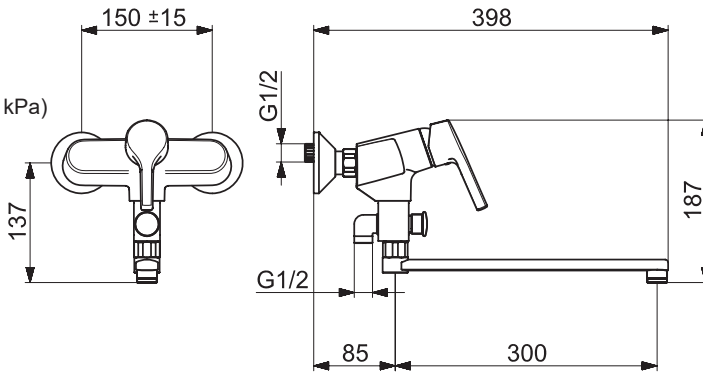
I (ISO 3822)
EN 817
50 - 1000 kPa
0.3 l/s (300 kPa)
max. +80°C



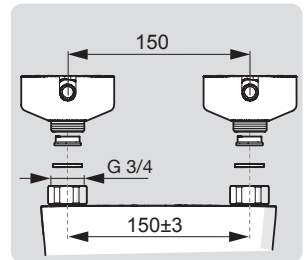
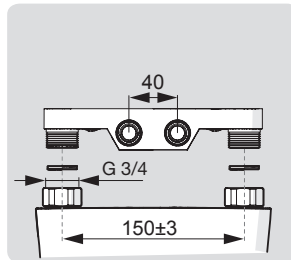
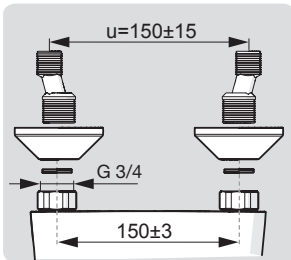
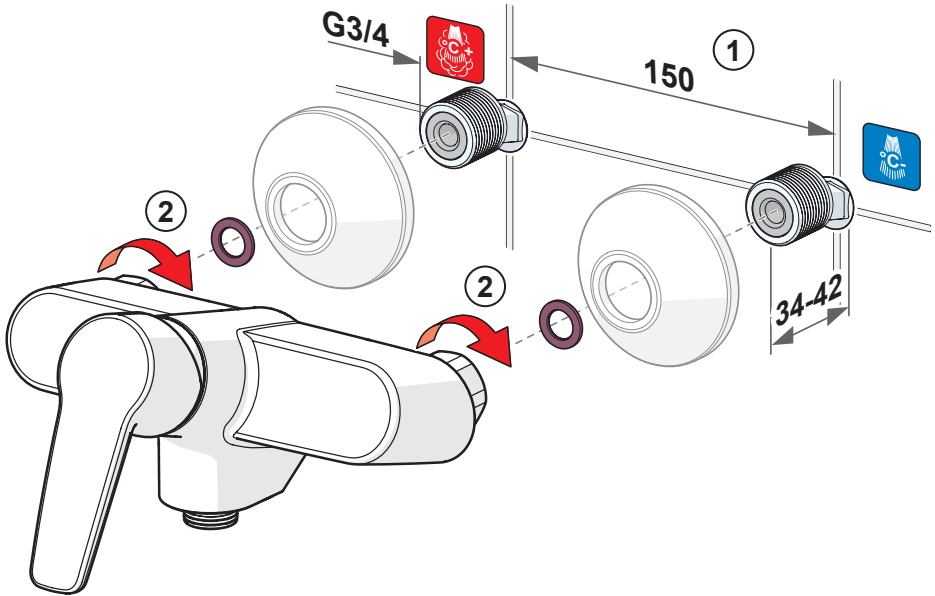
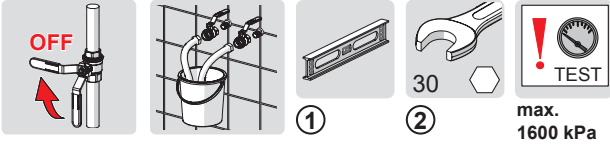
mpi.oras.com/3970H

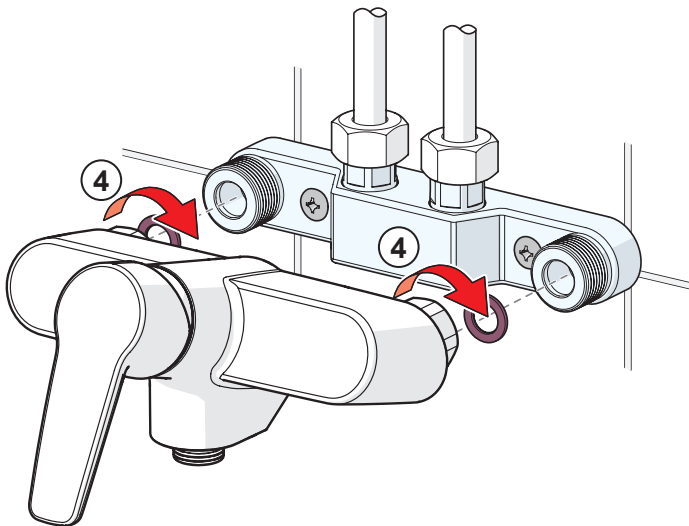
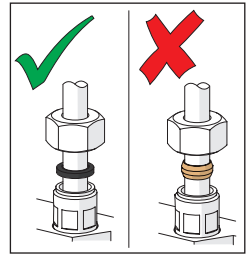
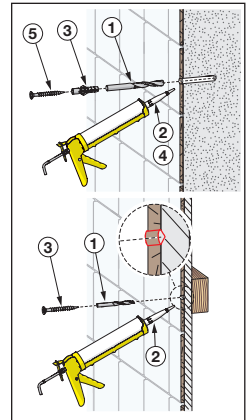
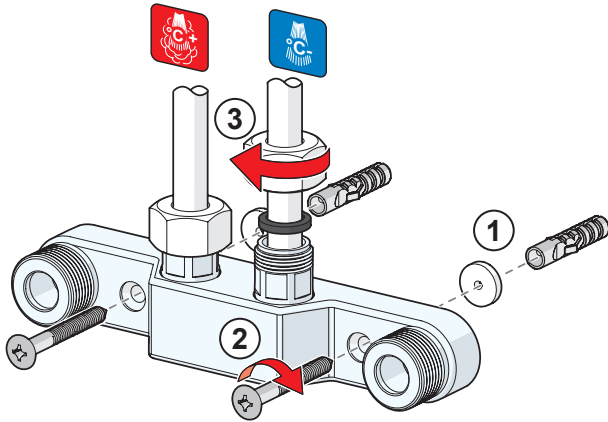
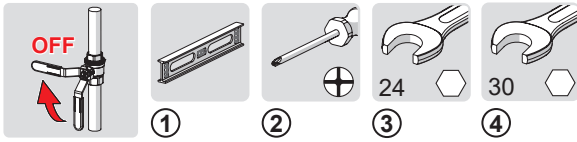
3942HY

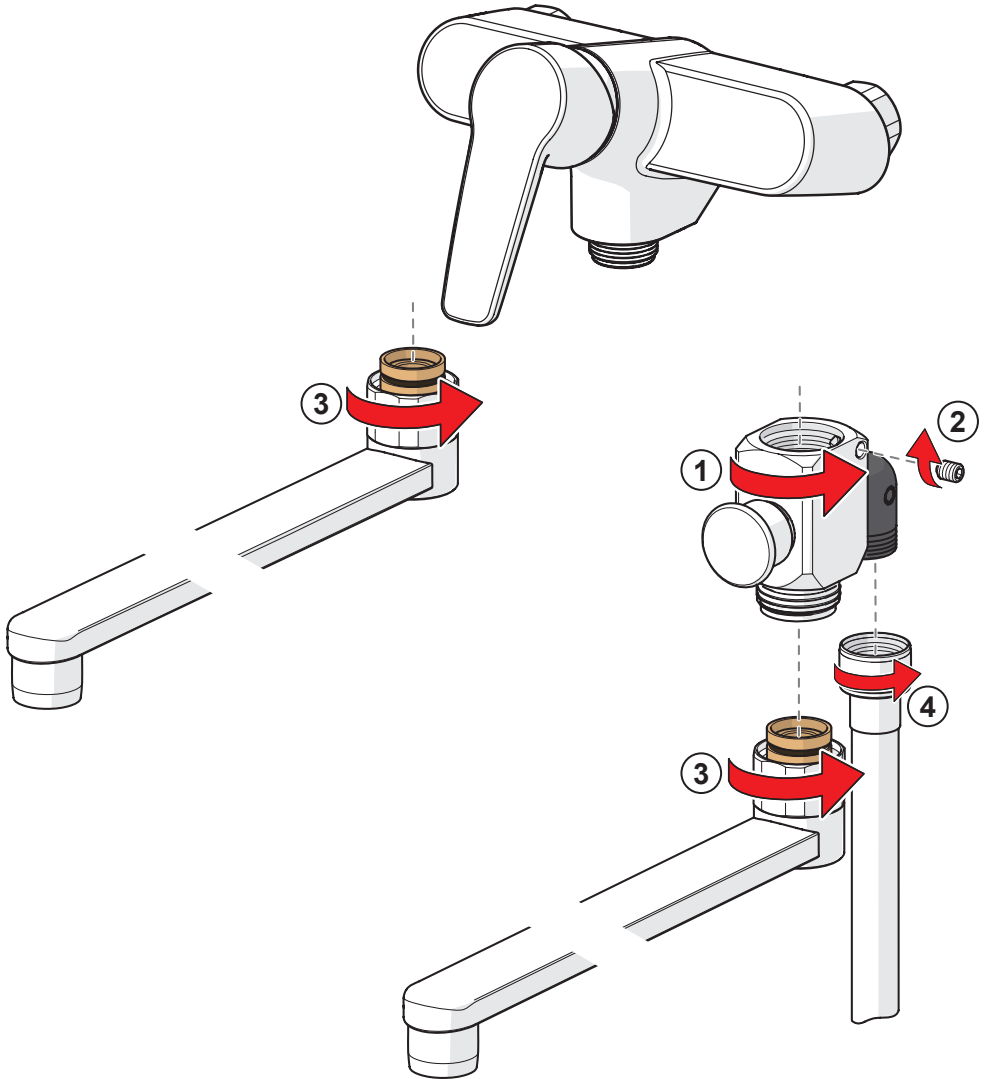
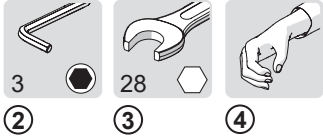
I (ISO 3822)
EN 817
50 - 1000 kPa
0.3 / 0.3 l/s (300 kPa)
max. +80°C

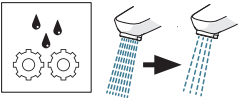
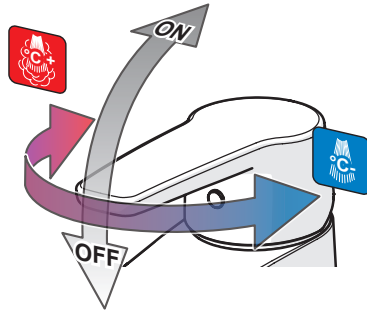


mpi.oras.com/3942HY

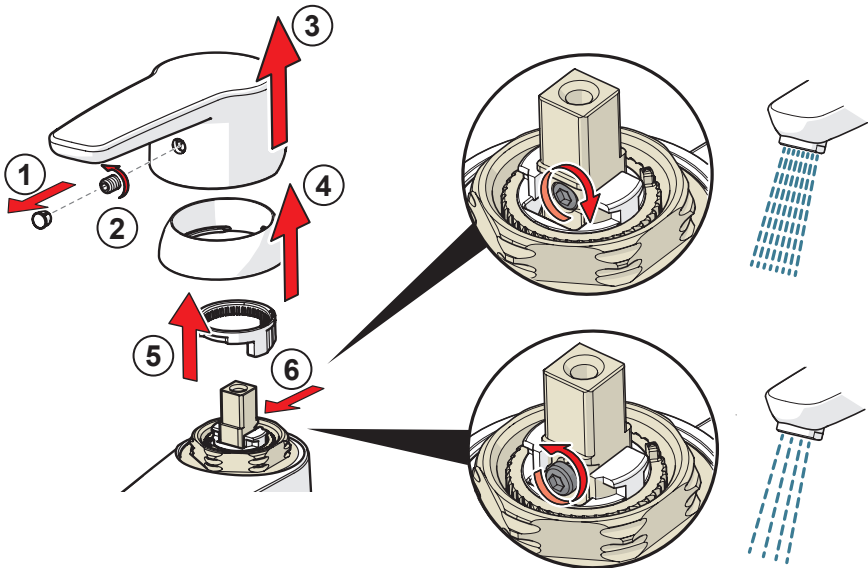








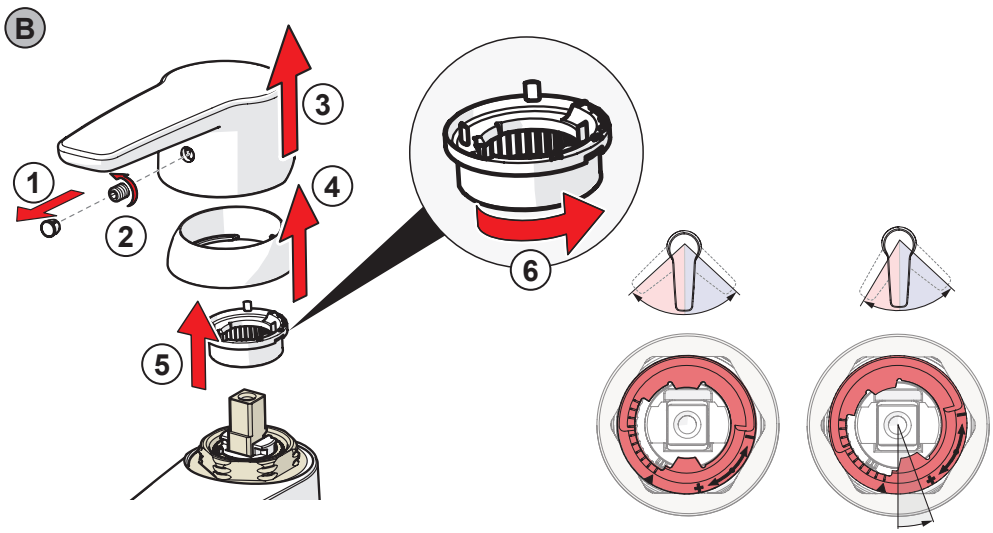
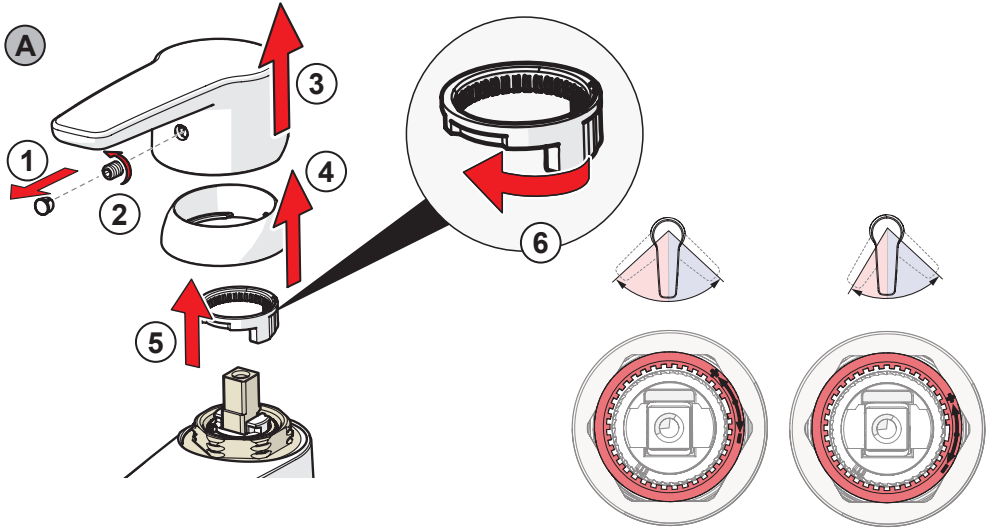
② ⑥

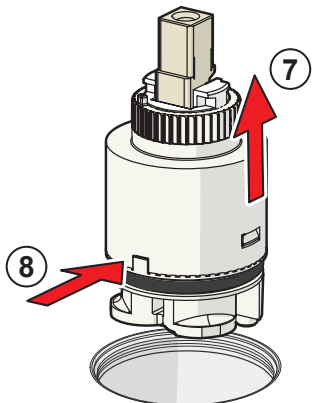
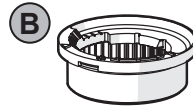
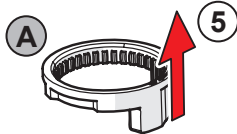
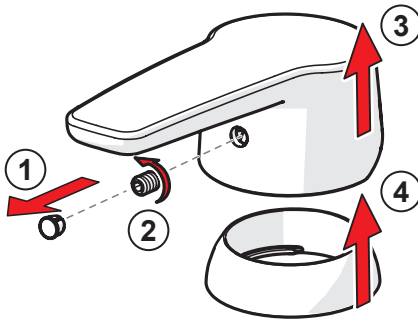
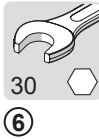
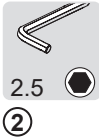
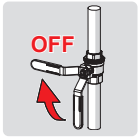




2.5

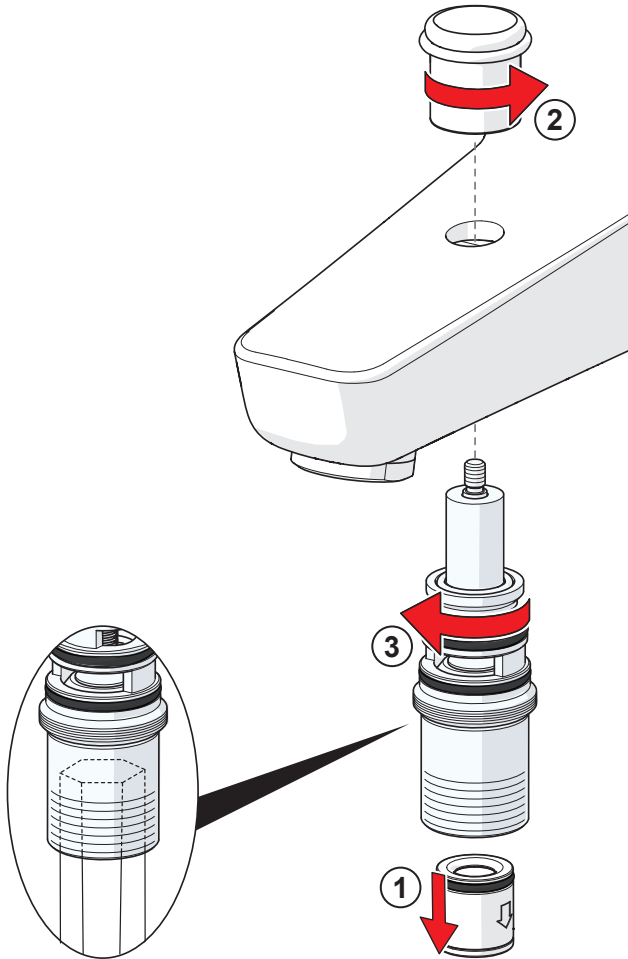
②

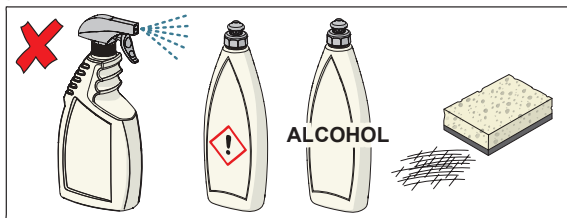
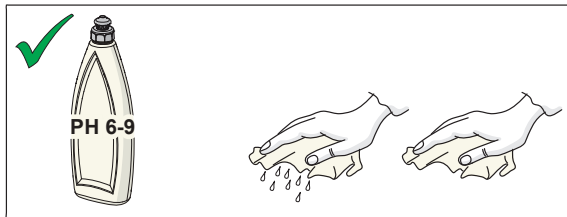
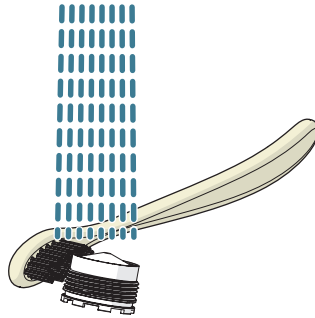






①





cleaning.oras.com

Oras Group is a powerful European provider of sanitary fittings: the market leader in the Nordics and a leading company in Continental Europe. The company's mission is to make the use of water easy and sustainable and its vision is to become the European leader of advanced sanitary fittings. Oras Group has two strong brands: Oras and Hansa.

The Group's head office is located in Rauma, Finland, and the Group has three manufacturing sites: Kralovice (Czech Republic), Olesno (Poland) and Rauma (Finland). Oras Group employs approximately 1,200 people in twenty countries. Oras Group is owned by Oras Invest, a family company and an industrial owner.

ORAS Ltd
Isometsäntie 2, P.O. Box 40
FI-26101 Rauma
Tel. +358 2 83 161
Fax +358 2 831 6300
info.finland@oras.com
www.oras.com



943234-05-21