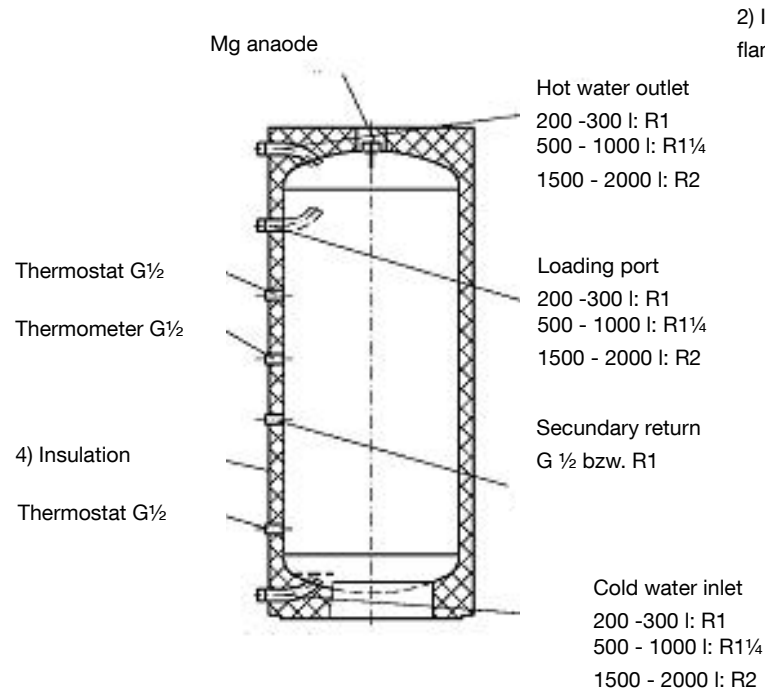


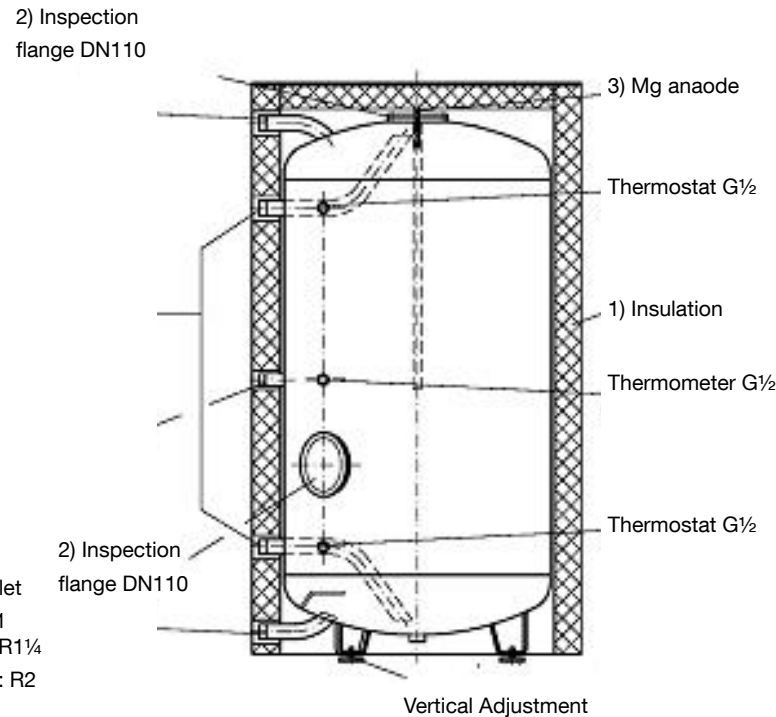


Storage vessel LS – Connection layout

200 - 300 litres



500 - 2000 litres



Vertical Adjustment screws included

Admissible working temperature: 95 ° C
Admissible working overpressure: 10 bar

- 1) 80 mm soft foam as assembly-friendly kit
- 2) from 500 litres, from 1500 litres 2.flange in the top head
- 3) from 1500 litres with impressed current anode
- 4) hard foam with plastic jacket

The advises to the anodes are only or the glass lined tanks valid. But for the stainless steel tanks are special impressed anodes available.

Installation, starting and maintenance in according to the valid technical rules by an expert!

Indication ref. warranty: The Mg anode has to be checked at first after 2 years and then annual. If necessary it has to be changed.

Before starting the earth cable of the Mg anode has to be checked and the complete installation has to be flushed.

If impressed current anodes are used the separate installation manual has to be considered.

Additional electrical heating units have to be installed in accordance to separate guides, regular checked and maintained.

During operating conditions has to be checked, if the system is water tight. If necessary the flange connection has to be again screwed.

Regular the safety valve has to be checked.

For additional questions please call our service.